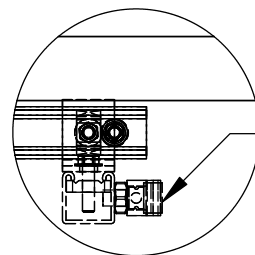
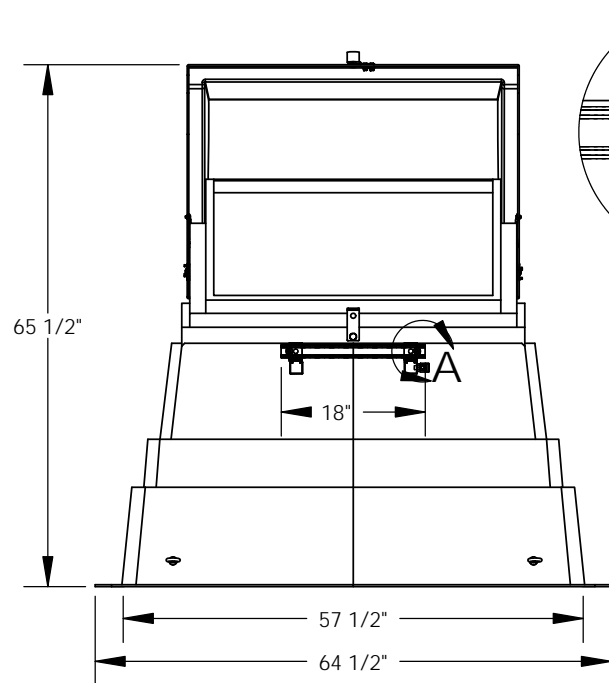
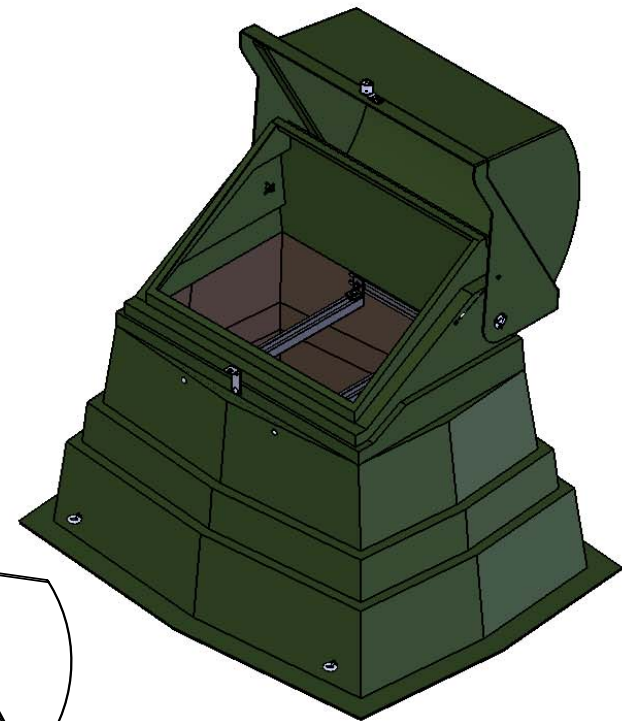
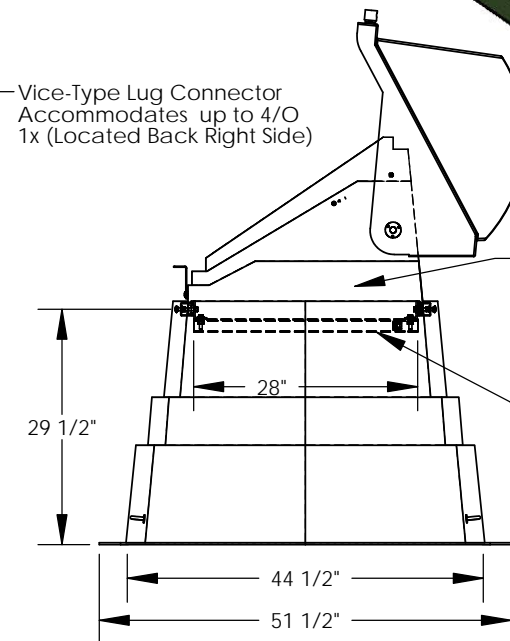


REVISIONS			
REV.	DESCRIPTION	DATE	APPROVED
REL-01		4/30/2008	
REL-02	Added 4/O Ground System, Updated Cabinet Name	7/8/2008	R.L.J.
REL-03	Removed Strut Pipe Clamps From TBS Assembly	3/17/2009	R.L.J.
REL-04	Updated Orientation of Vertical Unistruts	5/7/2015	R.L.J.



DETAIL A
SCALE 1 : 6



Vice-Type Lug Connector
Accommodates up to 4/O
1x (Located Back Right Side)

REL-02
4/O Bare Copper Strand
Ground Wire

REL-04
Pierced Strut Channel
2x

Nordic Fiberglass, Inc.

21415 US Hwy 75 NW, Warren, MN 56762
www.nordicfiberglass.com
218-745-5095 ph. --- 218-745-4990 fax

ND-362454-MG-TBS-X-W1E

PROPRIETARY AND CONFIDENTIAL
THE INFORMATION CONTAINED IN THIS DRAWING IS THE SOLE PROPERTY OF
NORDIC FIBERGLASS, INC. ANY REPRODUCTION IN PART OR AS A WHOLE
WITHOUT THE WRITTEN PERMISSION OF NORDIC FIBERGLASS, INC. IS PROHIBITED.

Customer Name: N/A		
DIMENSIONS ARE IN INCHES		
TOLERANCES: ANGLES ± 1°		
FRACTIONAL ± 1/32		
ONE PLACE DECIMAL ±.060		
TWO PLACE DECIMAL ±.030		
THREE PLACE DECIMAL ±.015		
MATERIAL		
DRAWN	NAME	DATE
CHECKED	---	--/--

SIZE	ITEM ID:	REV.
A	04000.25	REL-04
SCALE: 1:24	SHEET 1 OF 1	