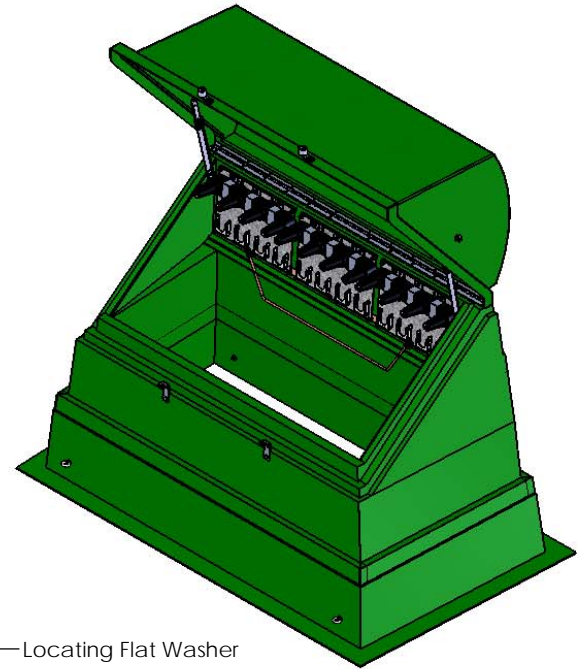
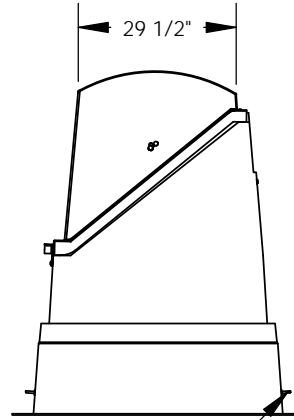
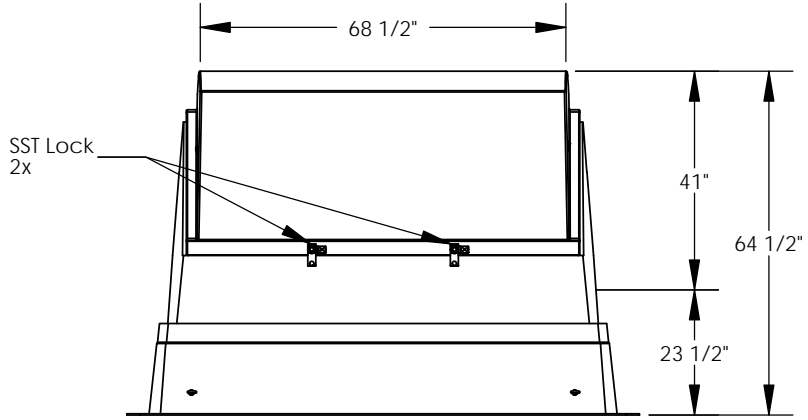
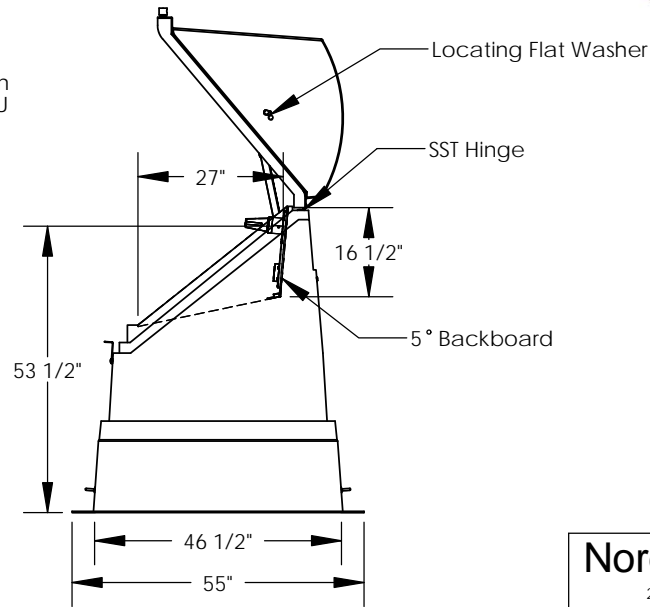
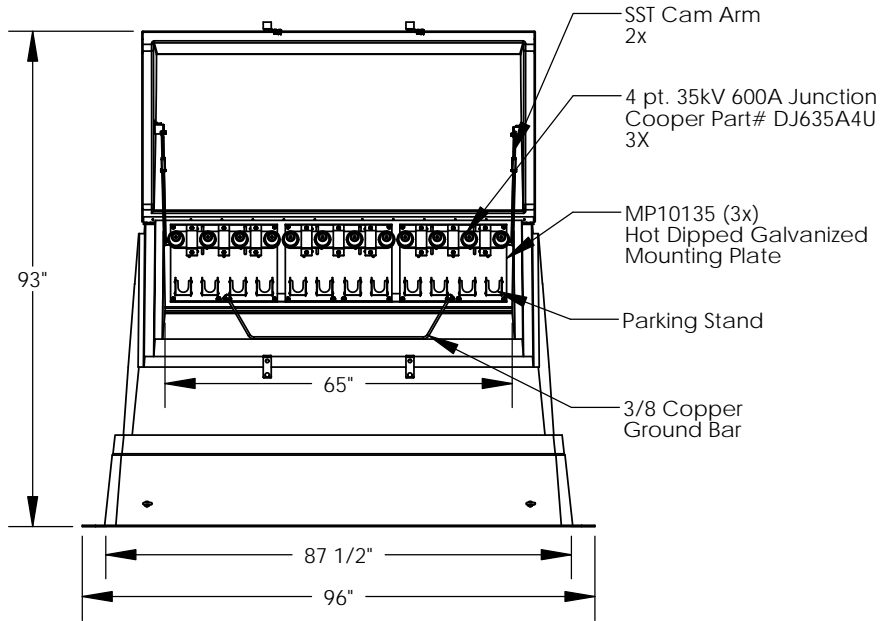


| REVISIONS | | | |
|-----------|-------------|------|----------|
| REV. | DESCRIPTION | DATE | APPROVED |



ZN Coated Eyebolt
4x



PROPRIETARY AND CONFIDENTIAL
THE INFORMATION CONTAINED IN THIS DRAWING IS THE SOLE PROPERTY OF NORDIC FIBERGLASS, INC. ANY REPRODUCTION IN PART OR AS A WHOLE WITHOUT THE WRITTEN PERMISSION OF NORDIC FIBERGLASS, INC. IS PROHIBITED.

| | | |
|--|----------------|------------------|
| Customer Name: N/A | | |
| DIMENSIONS ARE IN INCHES TOLERANCES: ANGLES $\pm 1^\circ$ FRACTIONAL $\pm 1/2$ ONE PLACE DECIMAL $\pm .060$ TWO PLACE DECIMAL $\pm .030$ THREE PLACE DECIMAL $\pm .015$ | | |
| MATERIAL | | |
| DRAWN | NAME R.L.J. | DATE 02/18/11 |
| CHECKED | --- | --/-- |

Nordic Fiberglass, Inc.
21415 US Hwy 75 NW, Warren, MN 56762
www.nordicfiberglass.com
218-745-5095 ph. --- 218-745-4990 fax

ND-450-MG-10135-43564-B3B

| | | |
|------------------|----------------------|-----------------------|
| SIZE A | ITEM ID: 02991.51 | REV. REL-01 |
| SCALE: 1:36 | SHEET 1 OF 1 | |