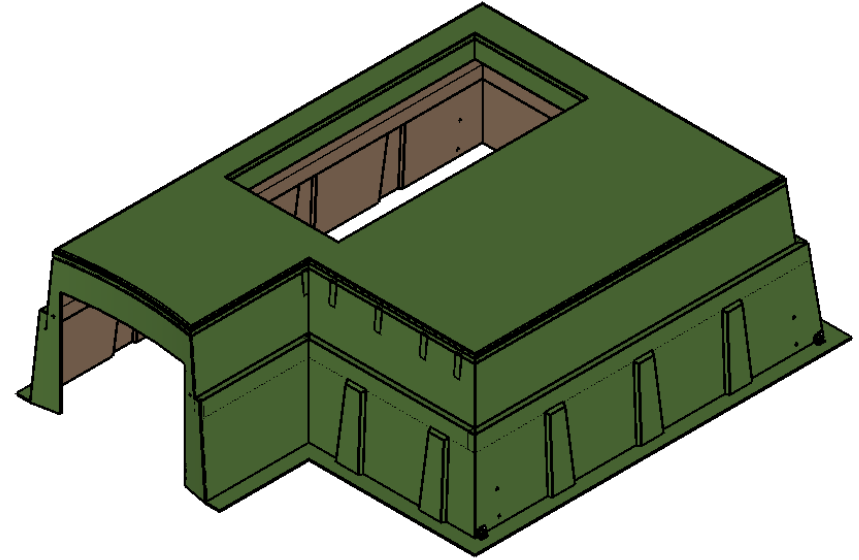
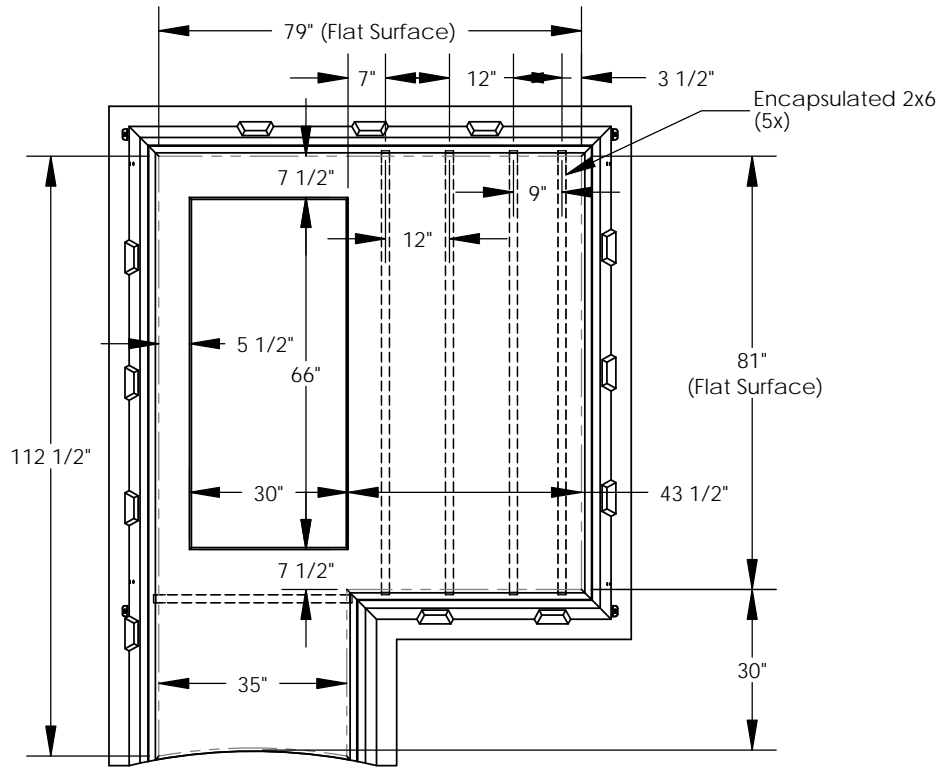
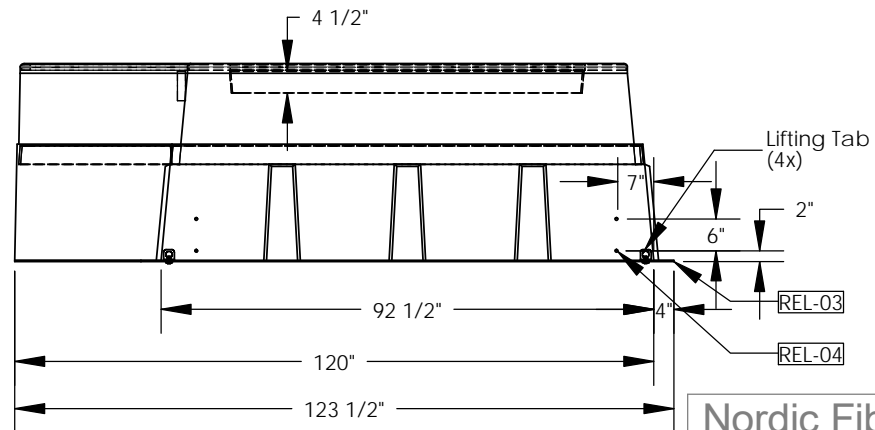
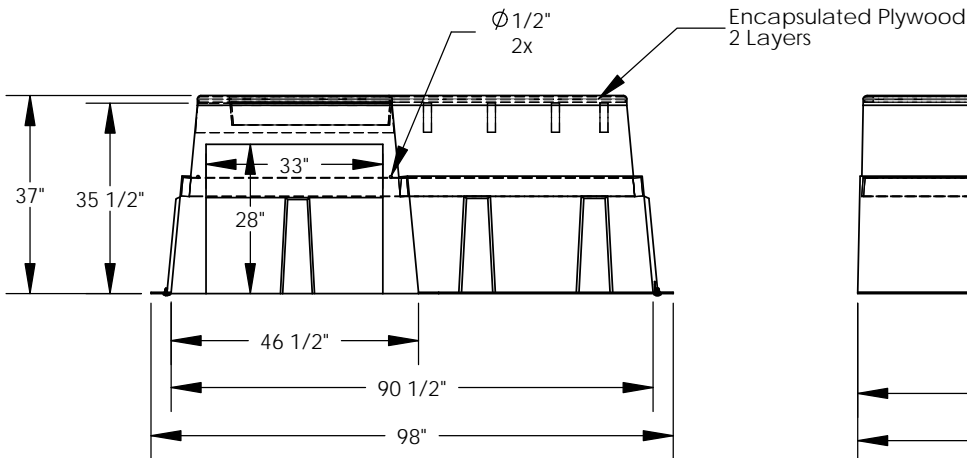


REVISIONS			
REV.	DESCRIPTION	DATE	APPROVED
REL-01		5/16/2007	
REL-02	Changed Chute Opening Size and Added (2) 1/2" Holes in Chute End	12/12/2007	P.J.W.
REL-03	Changed From 6" Flange	6/18/2010	M.F.K.
REL-04	Updated Laminate From "RTCT", Added Unistrut Holes	9/24/2018	R.L.J.



NOTE:  
Box Pad is Designed to be Installed in a Cement Slurry.



**PROPRIETARY AND CONFIDENTIAL**  
THE INFORMATION CONTAINED IN THIS DRAWING IS THE SOLE PROPERTY OF NORDIC FIBERGLASS, INC. ANY REPRODUCTION IN PART OR AS A WHOLE WITHOUT THE WRITTEN PERMISSION OF NORDIC FIBERGLASS, INC. IS PROHIBITED.

Customer Name: N/A		
DIMENSIONS ARE IN INCHES TOLERANCES: ANGLES ± 1° FRACTIONAL ± 1/2 ONE PLACE DECIMAL ±.060 TWO PLACE DECIMAL ±.030 THREE PLACE DECIMAL ±.015		
MATERIAL		
DRAWN	P.J.W.	05/16/07
CHECKED	---	--/--

**Nordic Fiberglass, Inc.**

21415 US Hwy 75 NW, Warren, MN 56762  
www.nordicfiberglass.com  
218-745-5095 ph. --- 218-745-4990 fax

GS-82-80-36RTCU2-MG-66X30

SIZE	ITEM ID:	REV.
<b>A</b>	02009.05	<b>REL-04</b>
SCALE:1:36	SHEET 1 OF 1	