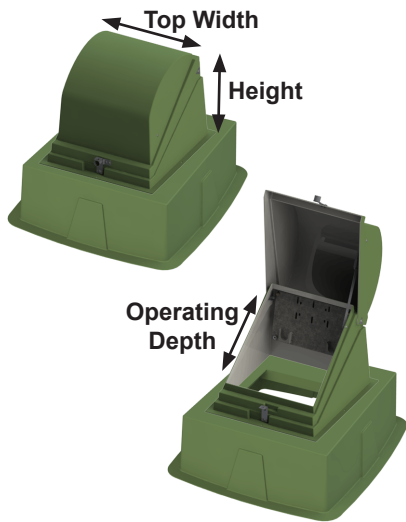


Cabinets - Deferral



- “Defers” a transformer when electrical components are installed in the temporary deferral cabinet.
- The fiberglass laminate is produced with chopped glass and woven roving.
- Once the transformer arrives; disengage the electrical components, remove the cabinet from the box pad, and install the transformer.
- Cabinet can be stored or used on another box pad for a future transformer.
- Hot-dipped galvanized, silicon bronze penta-head bolt, and stainless steel hardware.
- Optional copper ground systems and brand name junctions are available for factory installation.
- UV & Fire resistant.
- Meets ANSI C57.12.28 Pad-Mounted Enclosure Integrity Standard.
- UV & Fire resistant.

kV	Amp	Parking	Product	Top Width	Operating Depth	Height	Fits this Ground Sleeve
15/25	200	Below	 ND-202224-MG-125-X-X	21"	22"	24"	(GS w/22"x 24" openings)
		In-Line	 ND-37-MG-102C-X-X	37"	29.5"	22"	(GS w/22"x 24" openings)
			 ND-37H-MG-102C-X-X	37"	29.5"	22"	H-Hinged (GS w/22"x 24" openings)
15/25/35	200/600		 ND-38-MG-S108-X-X	37.5"	37"	23"	(GS w/26"x32" openings)