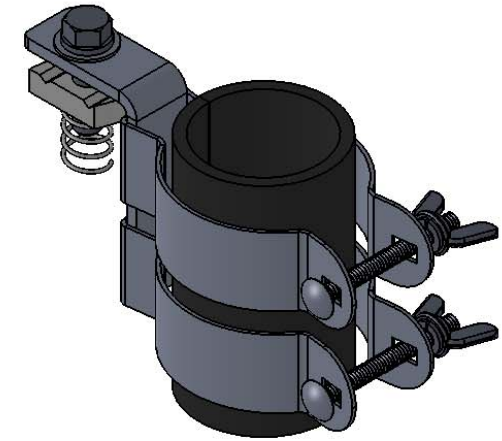
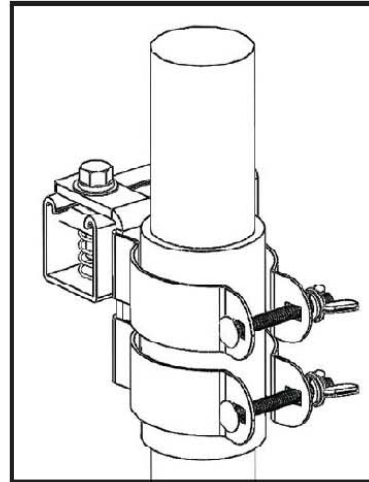


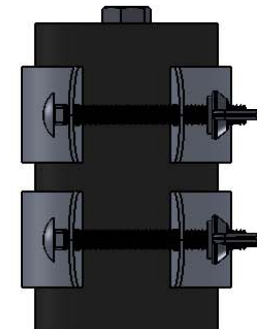
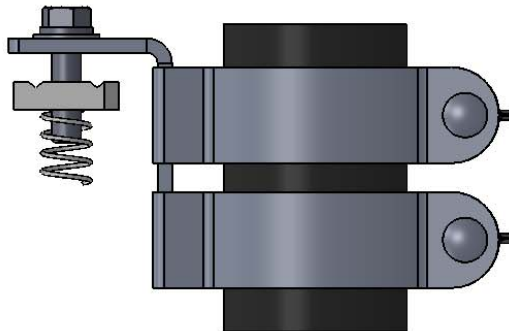
Nordic Fiberglass Cable Clamp Installation Instructions

NCC-1825 - Accommodates Cable O.D. Range: 1.80" - 2.50"

1. Slide the rubber sleeve and cable mounting bracket around the cable and position the bolt hole over the top of strut channel and center it.
2. Make sure the rubber sleeve is centered around the cable bracket.
3. Insert the carriage head bolts, install washers and tighten wing nuts to securely fasten the cable bracket to the cable.
4. Install the spring nut into the strut channel and center it below the cable bracket's bolt hole.
5. Install the 3/8" flat & lock washer with the 3/8" hex head bolt and put the bolt through the cable mounting bracket hole and tighten it to the spring nut.



Nordic Fiberglass Inc. - phone: 218-745-5095 - email: info@nordicfiberglass.com



REVISIONS			
REV.	DESCRIPTION	DATE	APPROVED

PROPRIETARY AND CONFIDENTIAL
 THE INFORMATION CONTAINED IN THIS DRAWING IS THE SOLE PROPERTY OF NORDIC FIBERGLASS, INC. ANY REPRODUCTION IN PART OR AS A WHOLE WITHOUT THE WRITTEN PERMISSION OF NORDIC FIBERGLASS, INC. IS PROHIBITED.

Customer Name: N/A		
DIMENSIONS ARE IN INCHES		
TOLERANCES: ANGLES $\pm 1^\circ$		
FRACTIONAL $\pm 1/2$		
ONE PLACE DECIMAL $\pm .060$		
TWO PLACE DECIMAL $\pm .030$		
THREE PLACE DECIMAL $\pm .015$		
MATERIAL		
DRAWN	R.L.J.	01/14/15
CHECKED	---	--/--/---

Nordic Fiberglass, Inc.		
21415 US Hwy 75 NW, Warren, MN 56762		
www.nordicfiberglass.com		
218-745-5095 ph. --- 218-745-4990 fax		
NCC-1825, Large Cable Clamp		
SIZE	ITEM ID:	REV.
A	90000.85	REL-01
SCALE:1:4	SHEET 1 OF 1	