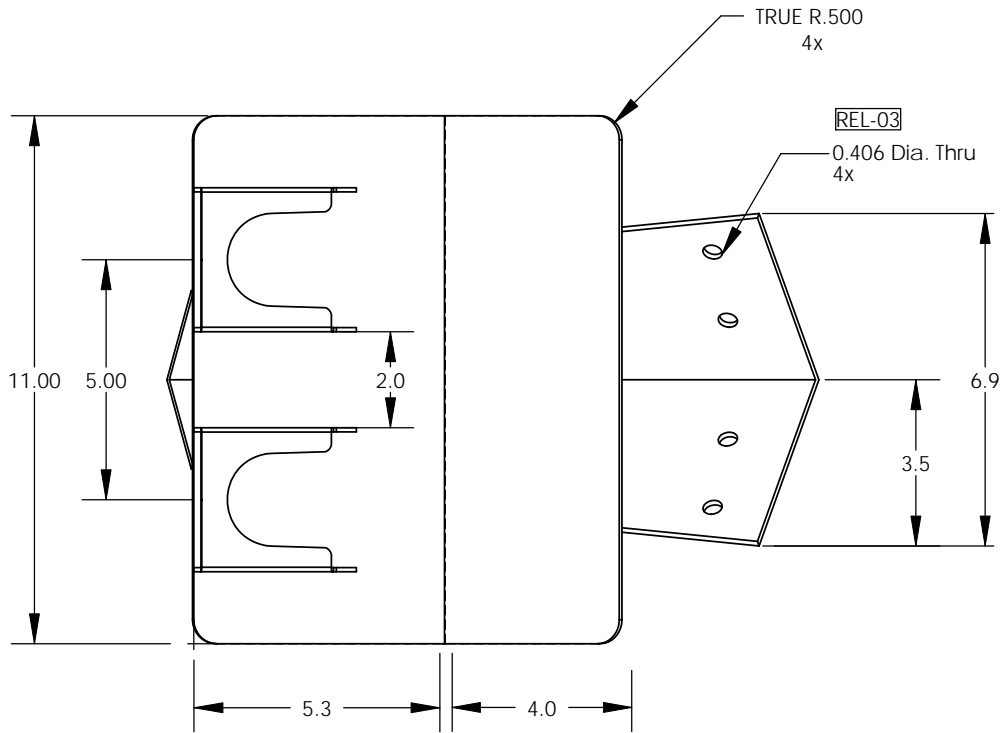
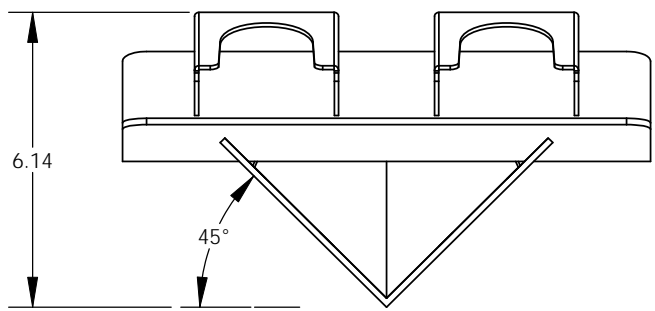
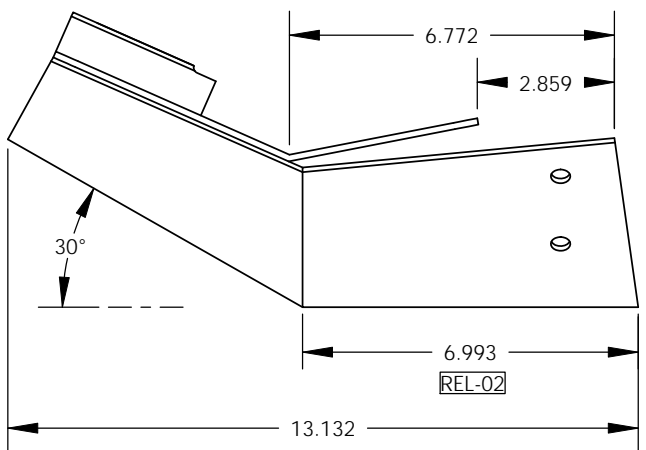


REVISIONS			
REV.	DESCRIPTION	DATE	APPROVED
REL-02	Shortened TDB-2A Bracket by 3/4"	2/5/2008	R.L.J.
REL-03	Reduced Hole Diameter from .625	2/5/2008	R.L.J.



Note: Top Plate Attached by Continuous Welded Bead



**PROPRIETARY AND CONFIDENTIAL**  
 THE INFORMATION CONTAINED IN THIS DRAWING IS THE SOLE PROPERTY OF NORDIC FIBERGLASS, INC. ANY REPRODUCTION IN PART OR AS A WHOLE WITHOUT THE WRITTEN PERMISSION OF NORDIC FIBERGLASS, INC. IS PROHIBITED.

Customer Name: N/A		
DIMENSIONS ARE IN INCHES		
TOLERANCES: ANGLES $\pm 1^\circ$		
FRACTIONAL $\pm 1/32$		
ONE PLACE DECIMAL $\pm .060$		
TWO PLACE DECIMAL $\pm .030$		
THREE PLACE DECIMAL $\pm .015$		
MATERIAL	NAME	DATE
DRAWN	G.D.M.	--/--/--
CHECKED	---	--/--/--

**Nordic Fiberglass, Inc.**  
 21415 US Hwy 75 NW, Warren, MN 56762  
 www.nordicfiberglass.com  
 218-745-5095 ph. --- 218-745-4990 fax

TDB-3

SIZE	ITEM ID:	REV.
<b>A</b>	HAMI0060	<b>REL-03</b>
SCALE:1:4	SHEET 1 OF 1	