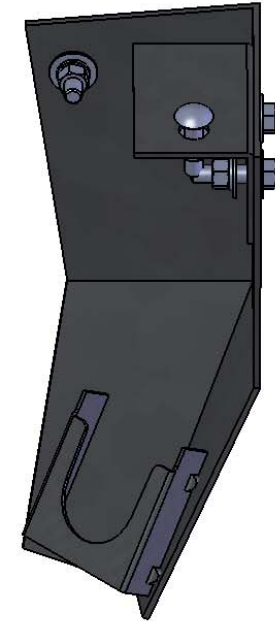
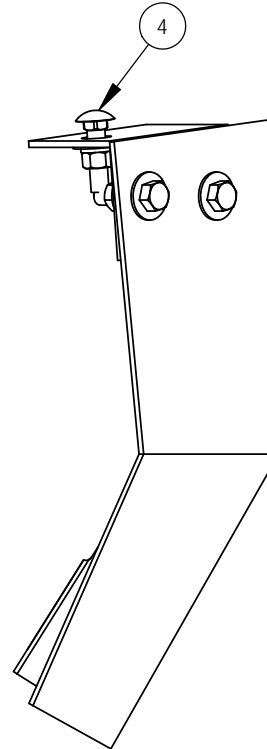
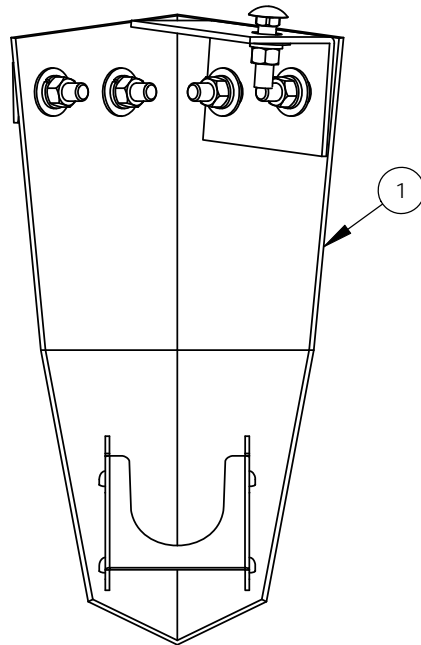
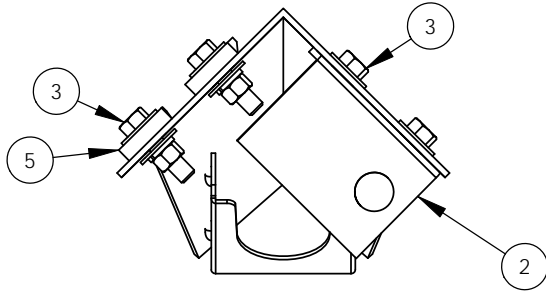


ITEM NO.	PART NUMBER	DESCRIPTION	QTY
1	HAMI0015	TDB-2, TRANSFORMER DEFERRAL BRACKET	1
2	HAMI0077	TDB-2-C24 L Bracket	1
3	00259.06	BK-05	4
4	00259.25	BK-24	1
5	HAWA0033	WASHER,BEVELED,GALV 3/8	2

REVISIONS			
REV.	DESCRIPTION	DATE	APPROVED



PROPRIETARY AND CONFIDENTIAL
 THE INFORMATION CONTAINED IN THIS DRAWING IS THE SOLE PROPERTY OF NORDIC FIBERGLASS, INC. ANY REPRODUCTION IN PART OR AS A WHOLE WITHOUT THE WRITTEN PERMISSION OF NORDIC FIBERGLASS, INC. IS PROHIBITED.

Customer Name: N/A		
DIMENSIONS ARE IN INCHES TOLERANCES: ANGLES $\pm 1^\circ$ FRACTIONAL $\pm 1/2$ ONE PLACE DECIMAL $\pm .060$ TWO PLACE DECIMAL $\pm .030$ THREE PLACE DECIMAL $\pm .015$		
MATERIAL		
DRAWN	P.J.W.	01/16/08
CHECKED	---	--/--/--

Nordic Fiberglass, Inc.
 21415 US Hwy 75 NW, Warren, MN 56762
 www.nordicfiberglass.com
 218-745-5095 ph. --- 218-745-4990 fax

TDB-2-C24 ASSEMBLY

SIZE	ITEM ID:	REV.
A	03650.01	REL-01
SCALE:1:4	SHEET 1 OF 1	