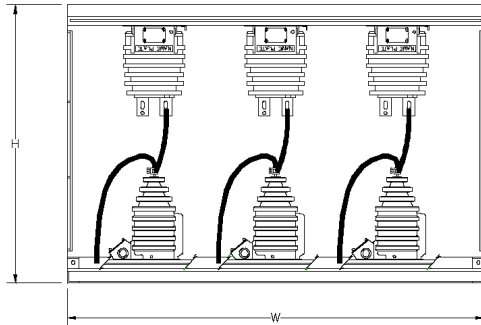
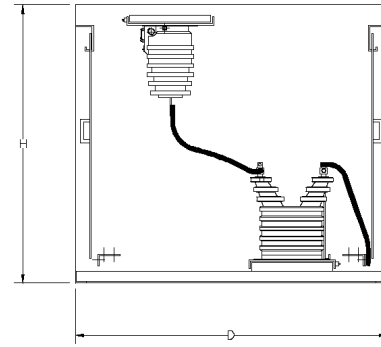


PADMOUNTED PRIMARY METERING GEAR (LIVEFRONT)

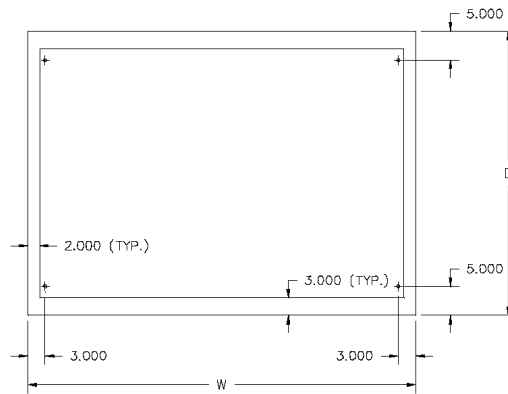
**Model SPML, 5-35 kV.
200-1200 Ampere.
Single and Three Phase.**



FRONT & REAR VIEW EXPOSED



SIDE VIEW EXPOSED



BASE PLAN

CIRCUIT DIAGRAM	STYLE	KV	H	W	D	WGT
	SPML – 315	15	48"	72"	54"	1100 LB
	SPML – 325	25	48"	72"	54"	1100 LB
	SPML – 335	35	Consult Factory			

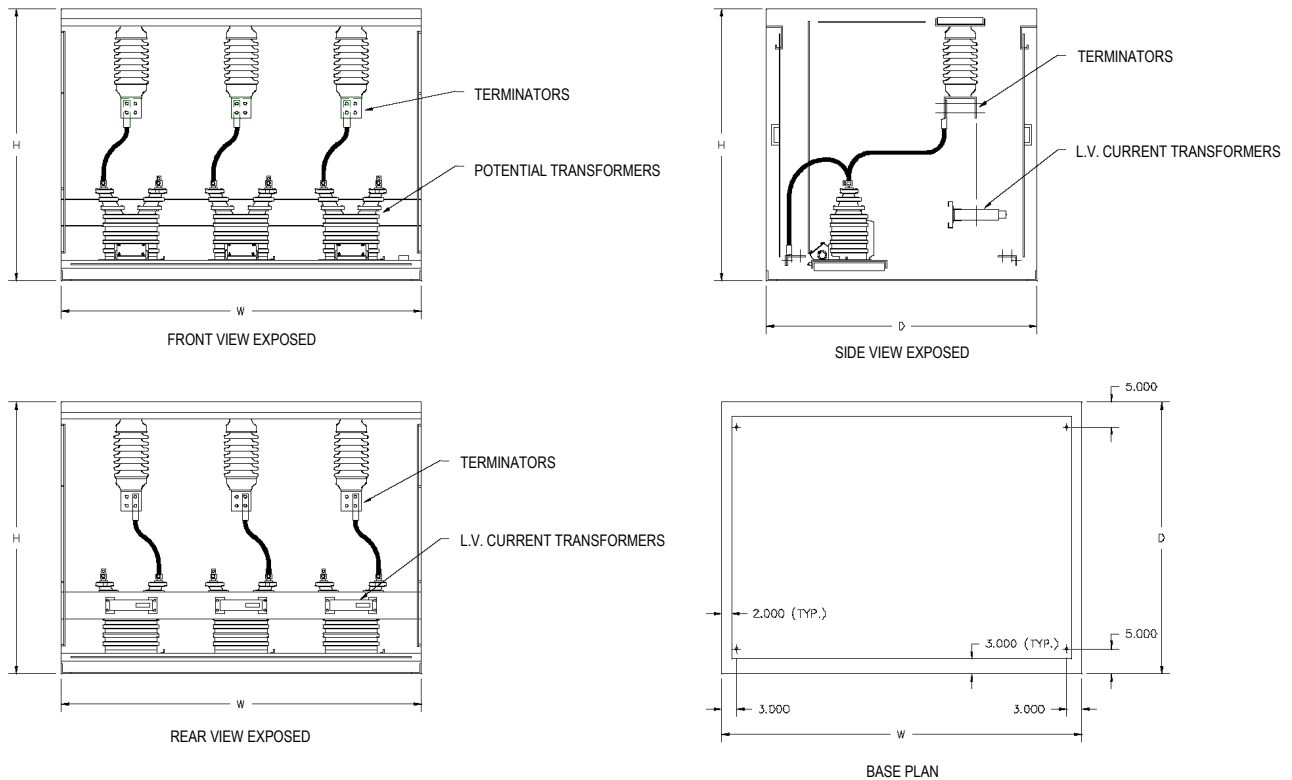
- For 5 kV applications, use 15 kV table.
- Units available as enclosures only (customer supplied and installed components) or as complete units from the factory.
- For single phase units, special configurations and sizes, consult factory.

PADMOUNTED PRIMARY METERING GEAR (LIVEFRONT)

Model SPML, 5-35 kV.

200-1200 Ampere.

Single and Three Phase, 15 kV, 3000 Ampere Max.

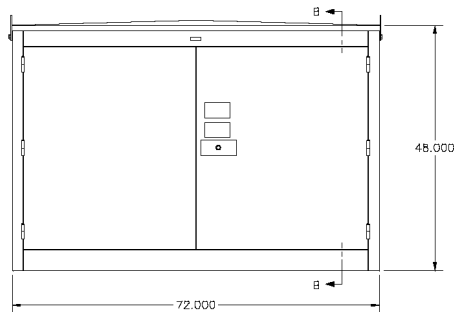


CIRCUIT DIAGRAM	STYLE	KV	H	W	D	WGT
	SPML-315-T-LVCT	15	54"	72"	54"	1050 LB

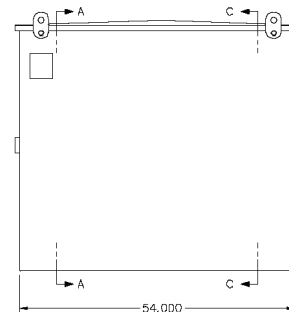
- For 5 kV applications, use 15 kV table.
- Utilizes low voltage current transformers, 3000 ampere max.
- For special configurations and sizes, consult factory.

PADMOUNTED PRIMARY METERING GEAR (LIVEFRONT)

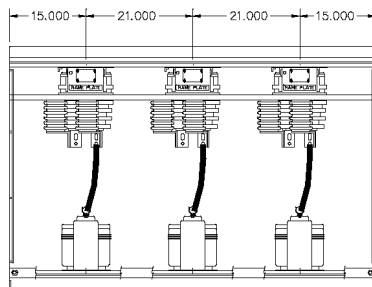
Model SPML, 5-35 kV.
Custom Designs.



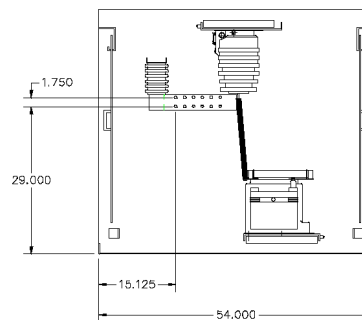
FRONT & REAR VIEW



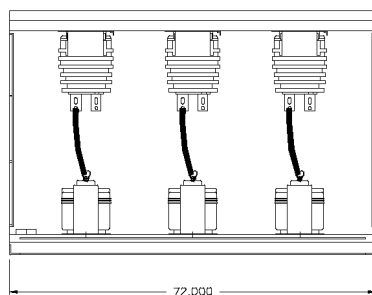
RIGHT SIDE VIEW



SECTION A-A



SECTION B-B



SECTION C-C

- Customer specific Livefront Primary Metering Unit, 600 ampere with specials terminations, 15 kV, 95 kV BIL.
- For custom designs, consult factory.