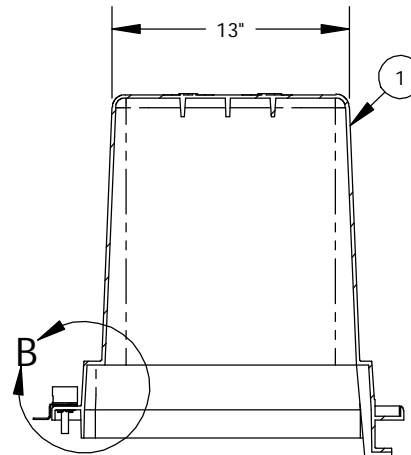
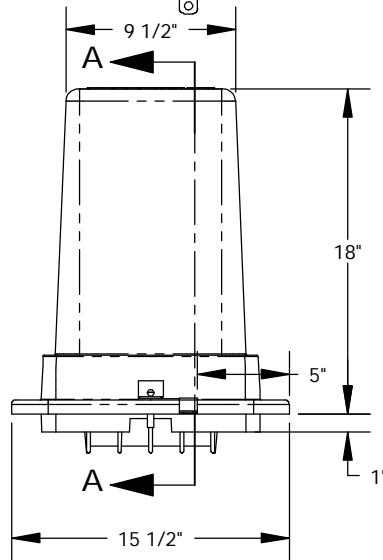
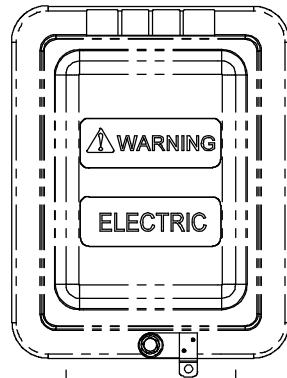
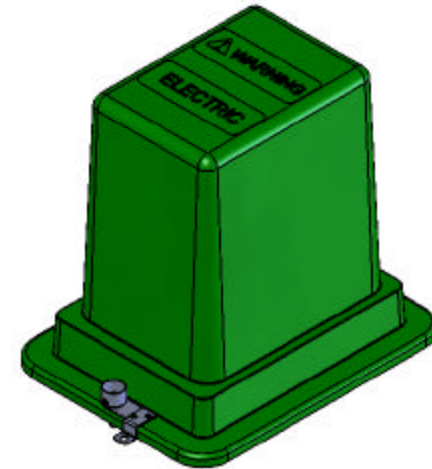
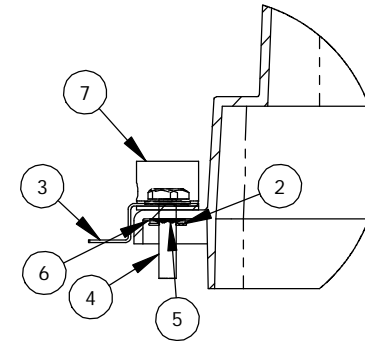


ITEM NO.	PART NUMBER	DESCRIPTION	QTY
1	03514.93	PSPT-91318-MG-NH	1
2	HARI0003	RIVET,FBS-66 .188DIA. X .375 GRIP	2
3	HALO0011	B-6, BIT	1
4	HAPE0002	PH-7,3/8-16X1.75 (WASHER & POINT)	1
5	HAMI0019	RETAINER,BOLT,PUSH-ON 3/8	1
6	HAWA0002	WASHER,BACKUP,SS	2
7	HALO0029	P-108-2, PENTAHEAD CUP	1

REVISIONS			
REV.	DESCRIPTION	DATE	APPROVED
REL-01		1/13/2006	



SECTION A-A
SCALE 1 : 10



DETAIL B
SCALE 1 : 4

PROPRIETARY AND CONFIDENTIAL
THE INFORMATION CONTAINED IN THIS DRAWING IS THE SOLE PROPERTY OF NORDIC FIBERGLASS, INC. ANY REPRODUCTION IN PART OR AS A WHOLE WITHOUT THE WRITTEN PERMISSION OF NORDIC FIBERGLASS, INC. IS PROHIBITED.

Customer Name: N/A		
DIMENSIONS ARE IN INCHES		
TOLERANCES: ANGLES ± 1°		
FRACTIONAL ± 1/32		
ONE PLACE DECIMAL ± .060		
TWO PLACE DECIMAL ± .030		
THREE PLACE DECIMAL ± .015		
MATERIAL		
DRAWN	NAME	DATE
	P.J.W.	01/12/06
CHECKED		

Nordic Fiberglass, Inc.

21415 US Hwy 75 NW, Warren, MN 56762
www.nordicfiberglass.com
218-745-5095 ph. --- 218-745-4990 fax

PSPX2T-91318-MG

SIZE	ITEM ID:	REV.
A	03514.90	REL-01
SCALE:1:10	SHEET 1 OF 1	