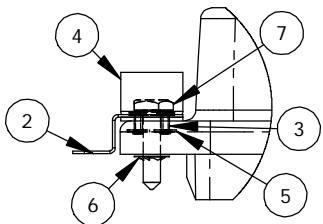
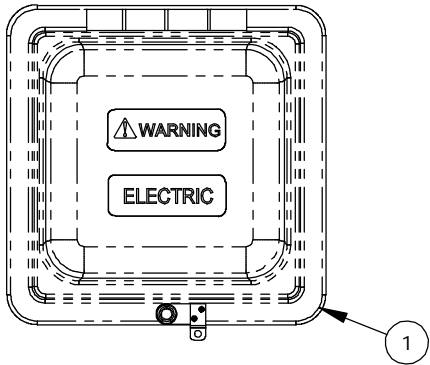
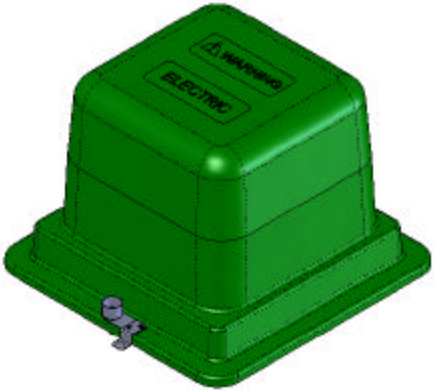
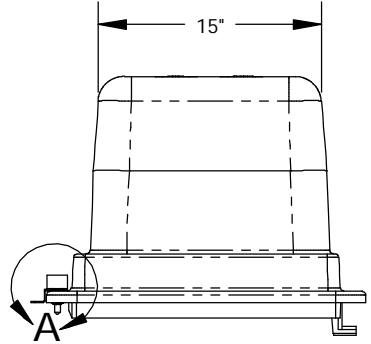
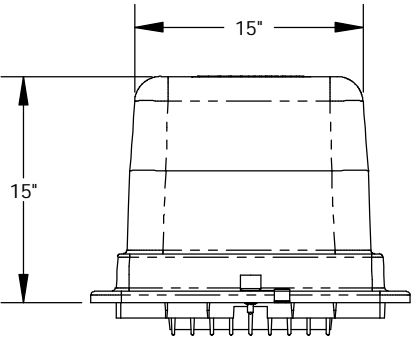


ITEM NO.	PART NUMBER	DESCRIPTION	QTY
1	03510.86	PSPT-151515-MG-NH	1
2	HALO0011	B-6, BIT	1
3	HARIO003	RIVET,FBS-66 .188DIA. X .375 GRIP	2
4	HALO0029	P-108, PENTAHEAD CUP	1
5	HAWA0002	WASHER,BACKUP,SS	2
6	HAMI0019	RETAINER,BOLT,PUSH-ON 3/8	1
7	HAPE0002	PH-7,3/8-16X1.75 (WASHER & POINT)	1

REVISIONS			
REV.	DESCRIPTION	DATE	APPROVED
REL-01		1/23/2006	



DETAIL A
SCALE 1 : 4



Nordic Fiberglass, Inc.

21415 US Hwy 75 NW, Warren, MN 56762
www.nordicfiberglass.com
218-745-5095 ph. --- 218-745-4990 fax

PROPRIETARY AND CONFIDENTIAL
THE INFORMATION CONTAINED IN THIS DRAWING IS THE SOLE PROPERTY OF NORDIC FIBERGLASS, INC. ANY REPRODUCTION IN PART OR AS A WHOLE WITHOUT THE WRITTEN PERMISSION OF NORDIC FIBERGLASS, INC. IS PROHIBITED.

Customer Name: N/A			PSPX2T-151515-MG	
DIMENSIONS ARE IN INCHES TOLERANCES: ANGLES ± 1° FRACTIONAL ± 1/32 ONE PLACE DECIMAL ± .060 TWO PLACE DECIMAL ± .030 THREE PLACE DECIMAL ± .015			MATERIAL	
DRAWN	P.J.W.	DATE	01/20/06	SIZE
CHECKED	---	---	---	ITEM ID:
			SCALE: 1:12	REV. REL-01
			03510.92	SHEET 1 OF 1