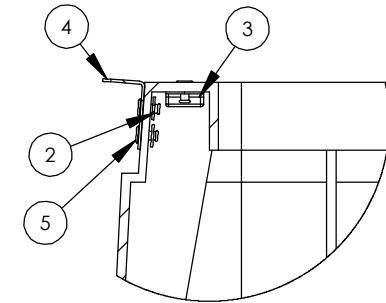
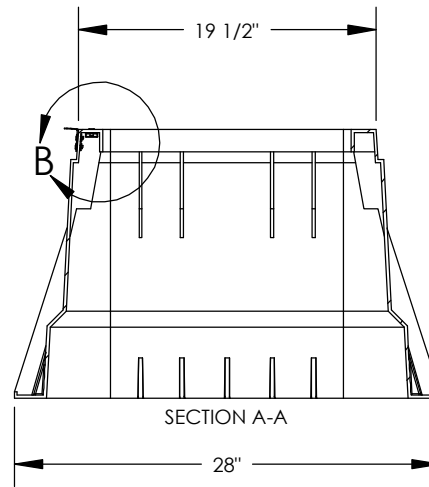
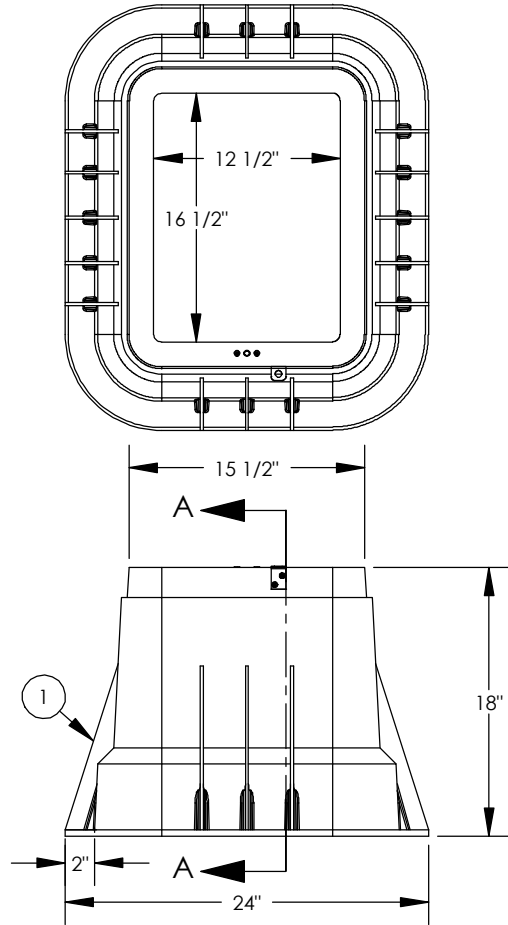
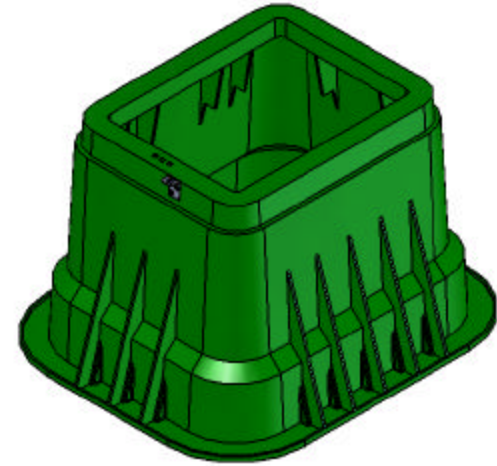


ITEM NO.	PART NUMBER	DESCRIPTION	QTY
1	03508.98	PSPB-161918-MG-NH	1
2	HAWA0002	WASHER, BACKUP, SS	2
3	00259.19	BK-18 (FN-138 w/ 66-Rivets)	1
4	HALO0010	B-5, BIT	1
5	HARI0003	RIVET, FBS-66 .188DIA. X .375 GRIP	2

REVISIONS			
REV.	DESCRIPTION	DATE	APPROVED
REL-01		3/3/2006	



DETAIL B
SCALE 1 : 4

Nordic Fiberglass, Inc.

21415 US Hwy 75 NW, Warren, MN 56762
www.nordicfiberglass.com
218-745-5095 ph. --- 218-745-4990 fax

PSPX2B-161918-MG

PROPRIETARY AND CONFIDENTIAL
THE INFORMATION CONTAINED IN THIS DRAWING IS THE SOLE PROPERTY OF NORDIC FIBERGLASS, INC. ANY REPRODUCTION IN PART OR AS A WHOLE WITHOUT THE WRITTEN PERMISSION OF NORDIC FIBERGLASS, INC. IS PROHIBITED.

Customer Name: N/A		
DIMENSIONS ARE IN INCHES		
TOLERANCES: ANGLES ± 1°		
FRACTIONAL ± 1/32		
ONE PLACE DECIMAL ±.060		
TWO PLACE DECIMAL ±.030		
THREE PLACE DECIMAL ±.015		
MATERIAL		
DRAWN	NAME	DATE
	P.J.W.	03/02/06
CHECKED	---	-/-/-

SIZE	ITEM ID:	REV.
A	03508.90	REL-01
SCALE: 1:12	SHEET 1 OF 1	