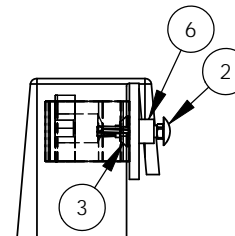
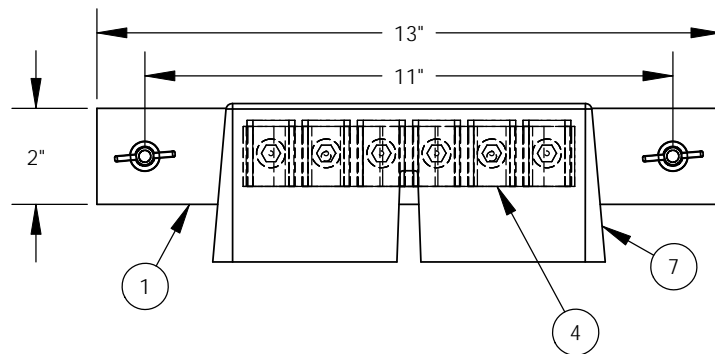
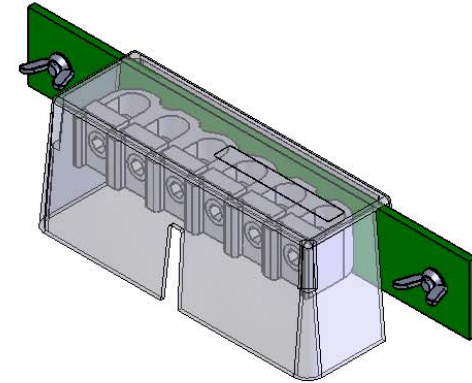


ITEM NO.	PART NUMBER	DESCRIPTION	QTY
1	N/A	MPP Mounting Bracket	1
2	HABO0009	BOLT,CH,SS 1/4-20X1.0	2
3	HANU0022	NUT,WING,SS 1/4-20	2
4	HACO0001	L6350-6 PORT 350 MCM LAY-IN	1
5	HABO0053	BOLT,PH,SS 1/4-20X.50 (PHILLIPS)	2
6	HACO0025	SPACER, LDPE .5x.26x.3125	2
7	HACO0006	COVER, CONNECTOR	1
8	HAMI0031	TIE, BEADED NYLON, 10.75"	1

REVISIONS			
REV.	DESCRIPTION	DATE	APPROVED
REL-01		9/10/2007	



NOTE:
HABO0053 1/4x.50 Phillips Screw Used
to Attach Connector to Bracket

Nordic Fiberglass, Inc.

21415 US Hwy 75 NW, Warren, MN 56762
www.nordicfiberglass.com
218-745-5095 ph. --- 218-745-4990 fax

MPP MOUNTING BRACKET W/ L6350

PROPRIETARY AND CONFIDENTIAL
THE INFORMATION CONTAINED IN THIS DRAWING IS THE SOLE PROPERTY OF
NORDIC FIBERGLASS, INC. ANY REPRODUCTION IN PART OR AS A WHOLE
WITHOUT THE WRITTEN PERMISSION OF NORDIC FIBERGLASS, INC. IS PROHIBITED.

Customer Name: N/A		
DIMENSIONS ARE IN INCHES TOLERANCES: ANGLES $\pm 1^\circ$ FRACTIONAL $\pm 1/2$ ONE PLACE DECIMAL $\pm .060$ TWO PLACE DECIMAL $\pm .030$ THREE PLACE DECIMAL $\pm .015$		
MATERIAL		
DRAWN	P.J.W.	09/10/07
CHECKED	---	--/--/--

SIZE	ITEM ID:	REV.
A	99-MPPMB-L6350	REL-01
SCALE:1:4	SHEET 1 OF 1	