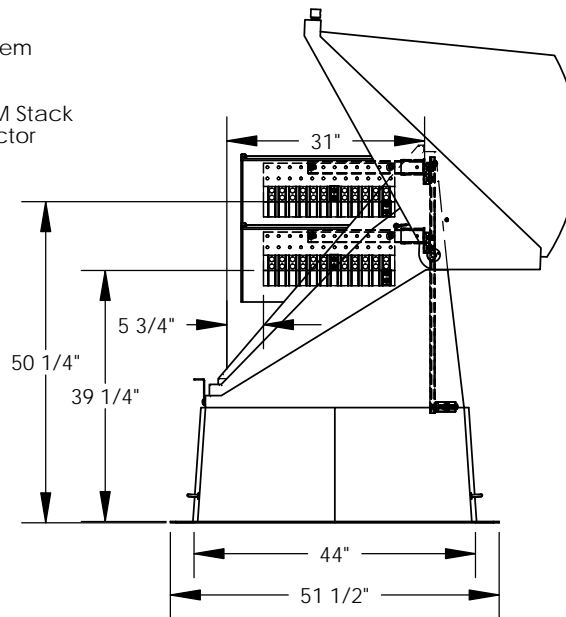
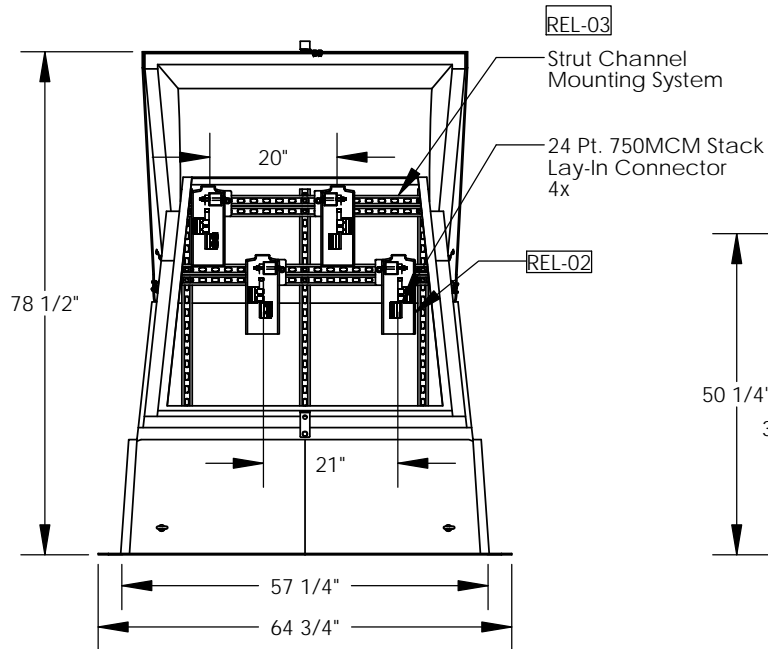
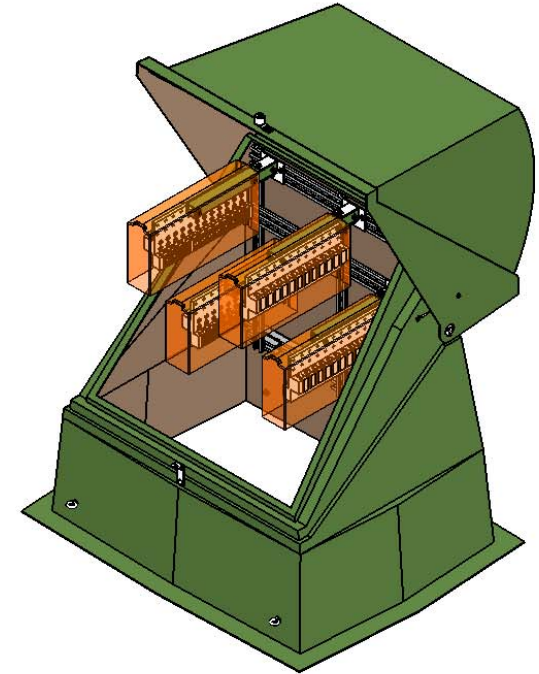
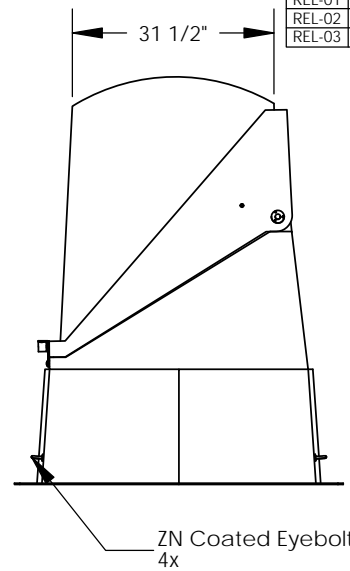
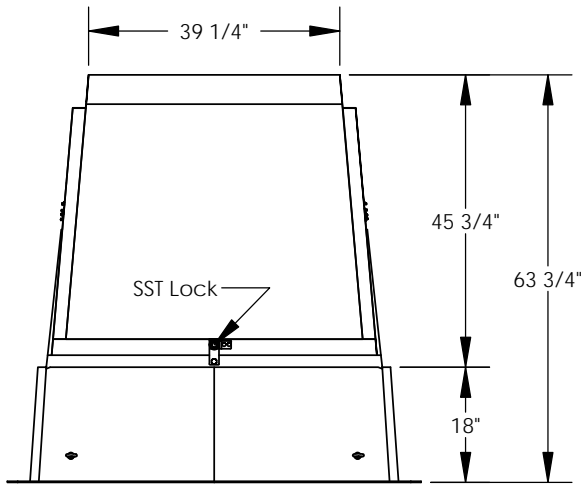


REVISIONS			
REV.	DESCRIPTION	DATE	APPROVED
REL-01		5/8/2008	
REL-02	Added Boot	9/16/2008	M.F.K.
REL-03	Updated to Half Slotted 13/16" Unistruts From 1-5/8" Solid	8/21/2015	R.L.J.



Nordic Fiberglass, Inc.

21415 US Hwy 75 NW, Warren, MN 56762
 www.nordicfiberglass.com
 218-745-5095 ph. --- 218-745-4990 fax

ND-403264-MG-4HDB-L24750-X

Customer Name: N/A		
DIMENSIONS ARE IN INCHES		
TOLERANCES: ANGLES $\pm 1^\circ$		
FRACTIONAL $\pm 1/2$		
ONE PLACE DECIMAL $\pm .060$		
TWO PLACE DECIMAL $\pm .030$		
THREE PLACE DECIMAL $\pm .015$		
MATERIAL		
	NAME	DATE
DRAWN	R.L.J.	05/07/08
CHECKED	---	--/--

SIZE	ITEM ID:	REV.
A	04190.06	REL-03
SCALE:1:30	SHEET 1 OF 1	

PROPRIETARY AND CONFIDENTIAL
 THE INFORMATION CONTAINED IN THIS DRAWING IS THE SOLE PROPERTY OF NORDIC FIBERGLASS, INC. ANY REPRODUCTION IN PART OR AS A WHOLE WITHOUT THE WRITTEN PERMISSION OF NORDIC FIBERGLASS, INC. IS PROHIBITED.