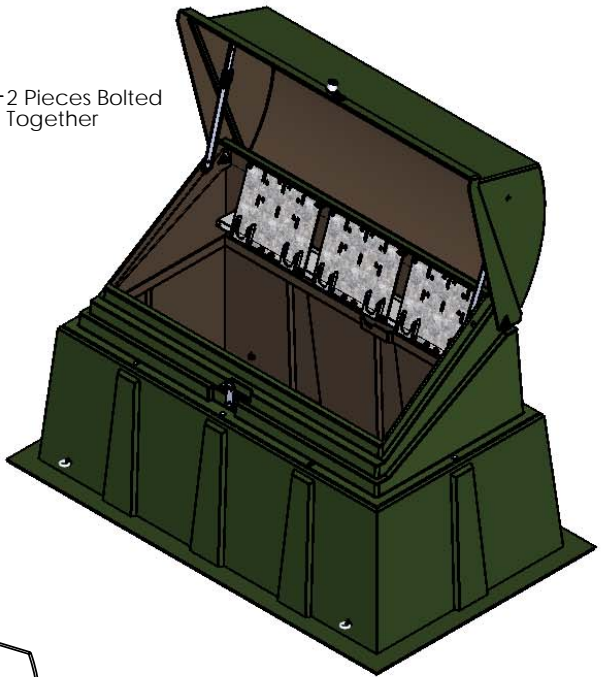
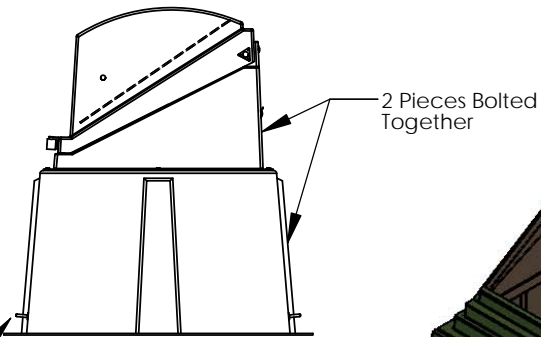
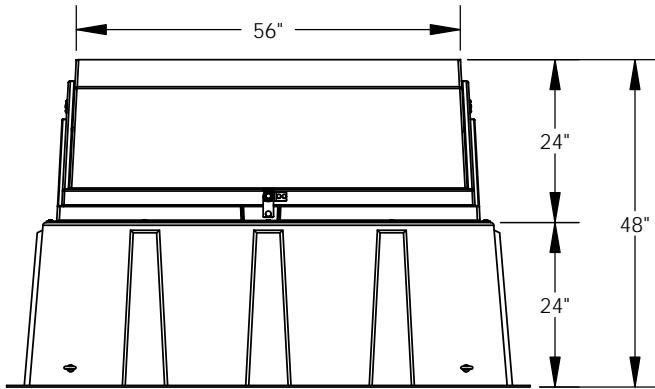
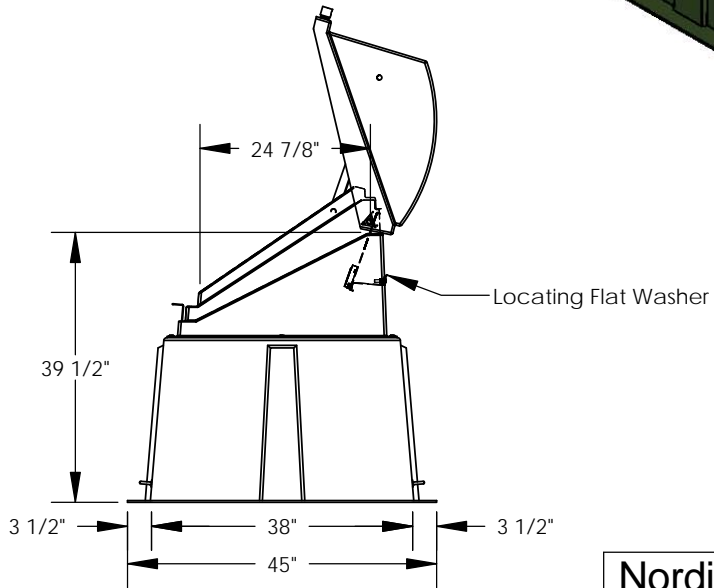
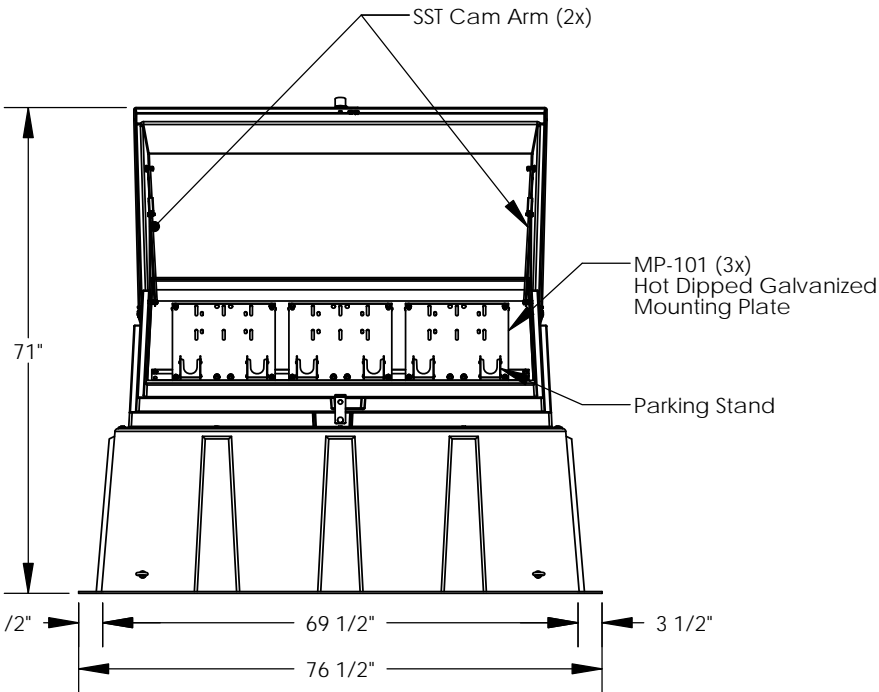


REVISIONS			
REV.	DESCRIPTION	DATE	APPROVED



ZN Coated Eyebolts
4x



Nordic Fiberglass, Inc.

21415 US Hwy 75 NW, Warren, MN 56762
www.nordicfiberglass.com
218-745-5095 ph. --- 218-745-4990 fax

ND-2562448-MG-101-X-X

PROPRIETARY AND CONFIDENTIAL
THE INFORMATION CONTAINED IN THIS DRAWING IS THE SOLE PROPERTY OF NORDIC FIBERGLASS, INC. ANY REPRODUCTION IN PART OR AS A WHOLE WITHOUT THE WRITTEN PERMISSION OF NORDIC FIBERGLASS, INC. IS PROHIBITED.

Customer Name: N/A		
DIMENSIONS ARE IN INCHES		
TOLERANCES: ANGLES ± 1°		
FRACTIONAL ± 1/2		
ONE PLACE DECIMAL ±.060		
TWO PLACE DECIMAL ±.030		
THREE PLACE DECIMAL ±.015		
MATERIAL	NAME	DATE
DRAWN	R.L.J.	10/21/10
CHECKED	---	--/--

SIZE	ITEM ID:	REV.
A	04120.02	REL-01
SCALE:1:32	WEIGHT:	SHEET 1 OF 1