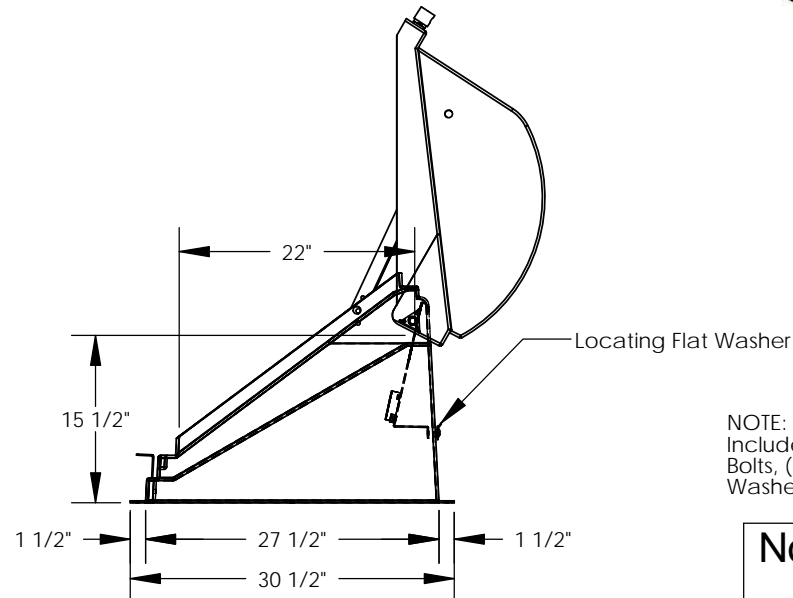
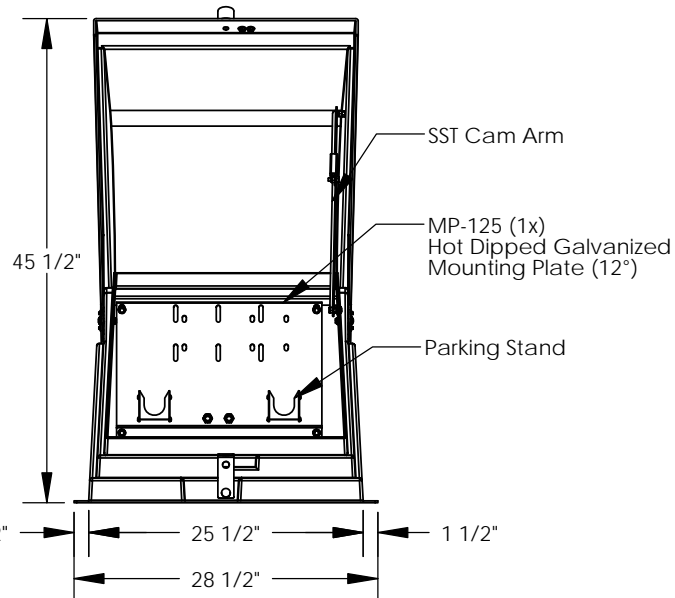
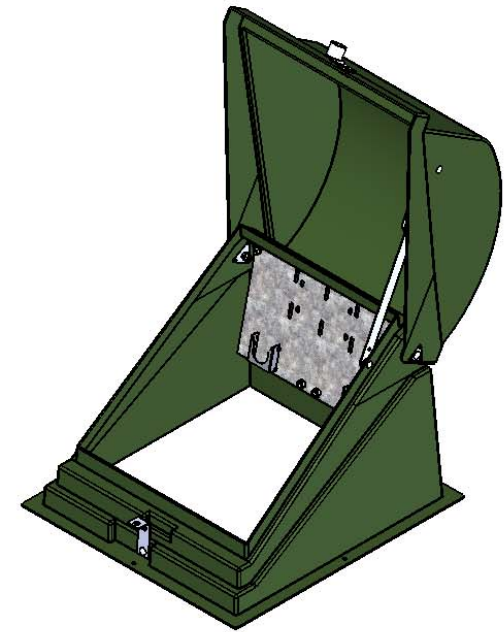
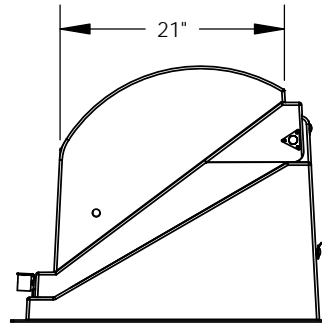
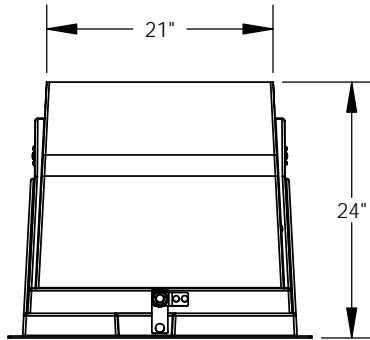
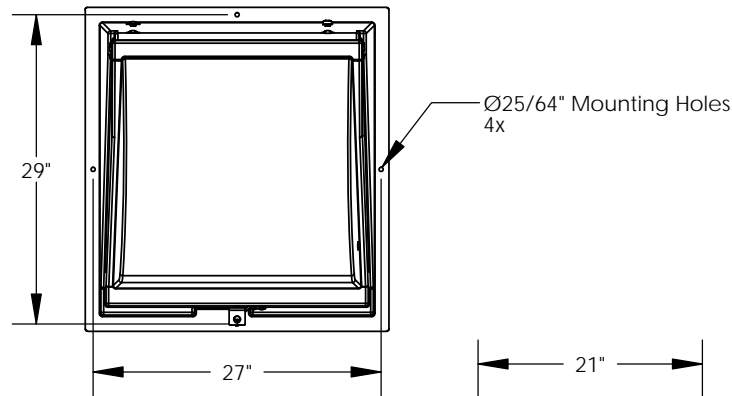


REVISIONS			
REV.	DESCRIPTION	DATE	APPROVED
REL-01		9/18/2009	



NOTE:
Includes (4) 5/16-18x1.25 SST Carriage Bolts, (4) 5/16 SST Flat Washers, (4) 5/16 Lock Washers, (4) 5/16 SST Hex Nuts

Nordic Fiberglass, Inc.

21415 US Hwy 75 NW, Warren, MN 56762
www.nordicfiberglass.com
218-745-5095 ph. --- 218-745-4990 fax

ND-202224-MG-125-X-X

Customer Name: N/A

DIMENSIONS ARE IN INCHES
TOLERANCES: ANGLES $\pm 1^\circ$
FRACTIONAL $\pm 1/2$
ONE PLACE DECIMAL $\pm .060$
TWO PLACE DECIMAL $\pm .030$
THREE PLACE DECIMAL $\pm .015$

MATERIAL

	NAME	DATE
DRAWN	R.L.J.	09/18/2009
CHECKED	---	--/--

SIZE
A

ITEM ID:

04090.51

REV.

REL-01

SCALE:1:32

SHEET 1 OF 1

PROPRIETARY AND CONFIDENTIAL

THE INFORMATION CONTAINED IN THIS DRAWING IS THE SOLE PROPERTY OF NORDIC FIBERGLASS, INC. ANY REPRODUCTION IN PART OR AS A WHOLE WITHOUT THE WRITTEN PERMISSION OF NORDIC FIBERGLASS, INC. IS PROHIBITED.