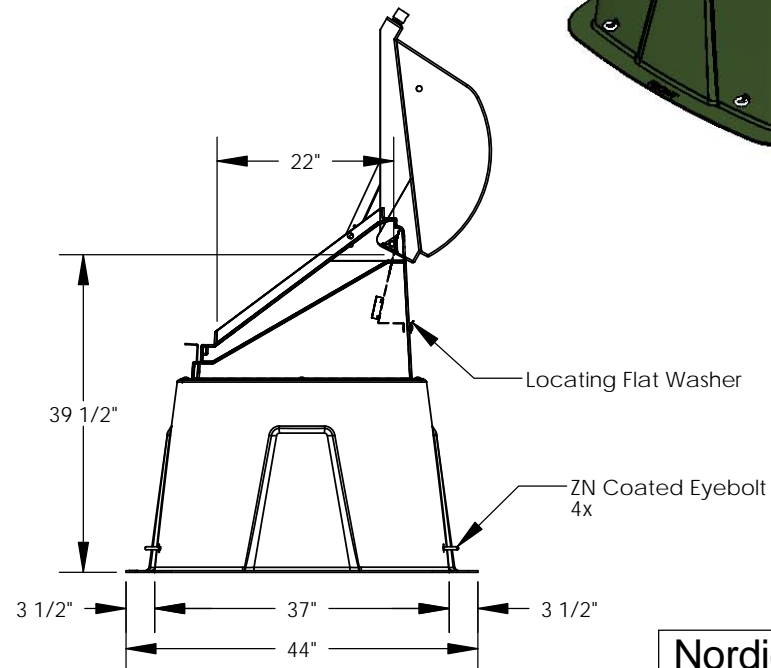
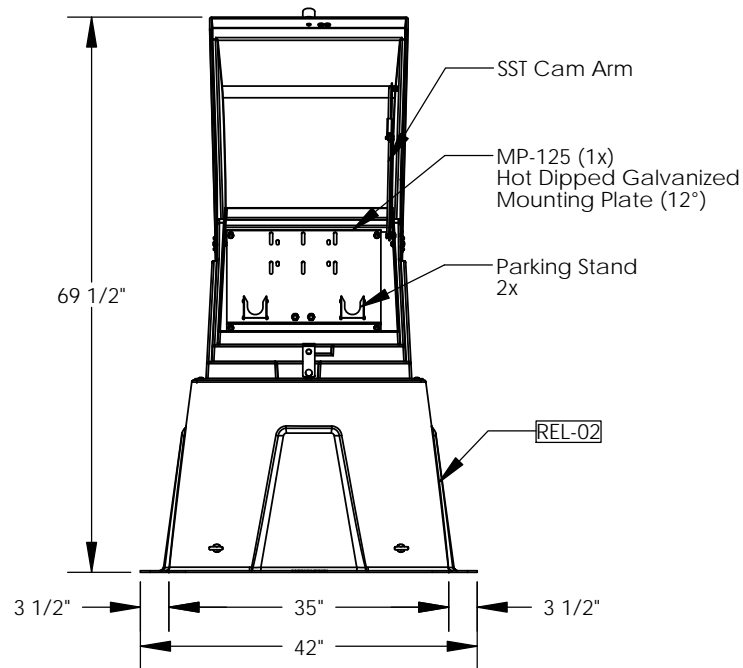
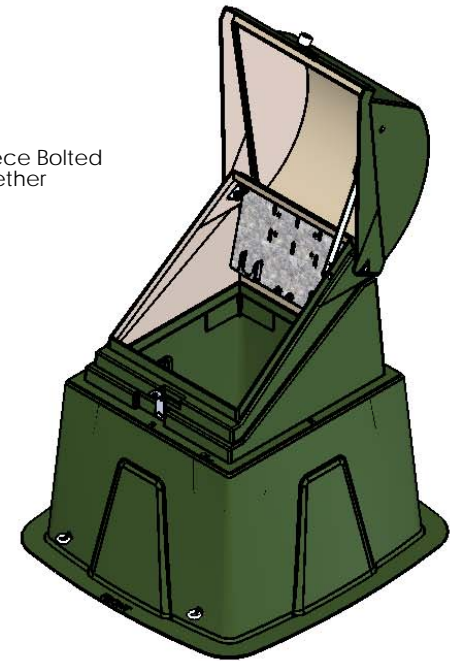
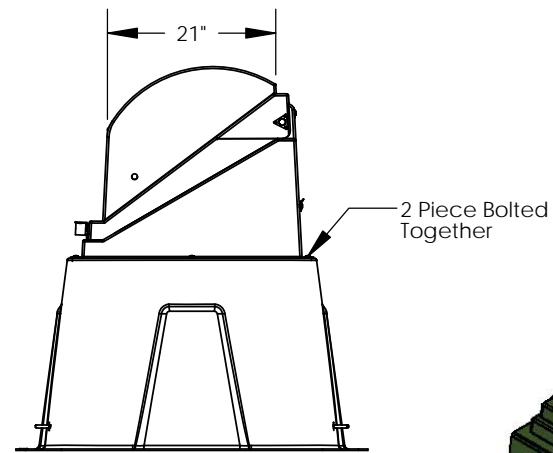
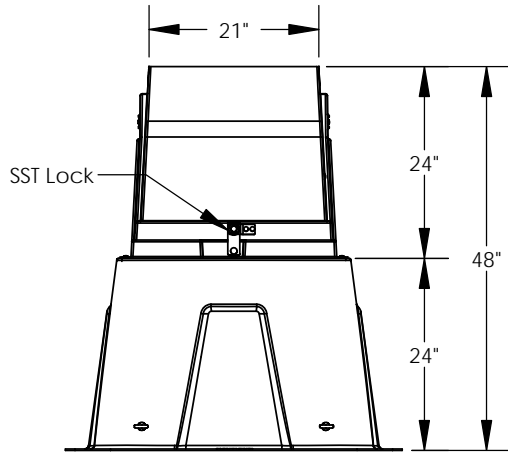


REVISIONS			
REV.	DESCRIPTION	DATE	APPROVED
REL-02	Updated Ground Sleeve	6/27/2016	R.L.J.



### Nordic Fiberglass, Inc.

21415 US Hwy 75 NW, Warren, MN 56762  
 www.nordicfiberglass.com  
 218-745-5095 ph. --- 218-745-4990 fax

ND-2202248-MG-125-X-X

Customer Name: N/A

DIMENSIONS ARE IN INCHES TOLERANCES: ANGLES ± 1° FRACTIONAL ± 1/2 ONE PLACE DECIMAL ±.060 TWO PLACE DECIMAL ±.030 THREE PLACE DECIMAL ±.015			MATERIAL	
DRAWN	M.F.K.	03/22/10	NAME	DATE
CHECKED	---	--/--		

SIZE	ITEM ID:	REV.
<b>A</b>	04090.02	<b>REL-02</b>
SCALE:1:32		SHEET 1 OF 1

**PROPRIETARY AND CONFIDENTIAL**  
 THE INFORMATION CONTAINED IN THIS DRAWING IS THE SOLE PROPERTY OF NORDIC FIBERGLASS, INC. ANY REPRODUCTION IN PART OR AS A WHOLE WITHOUT THE WRITTEN PERMISSION OF NORDIC FIBERGLASS, INC. IS PROHIBITED.