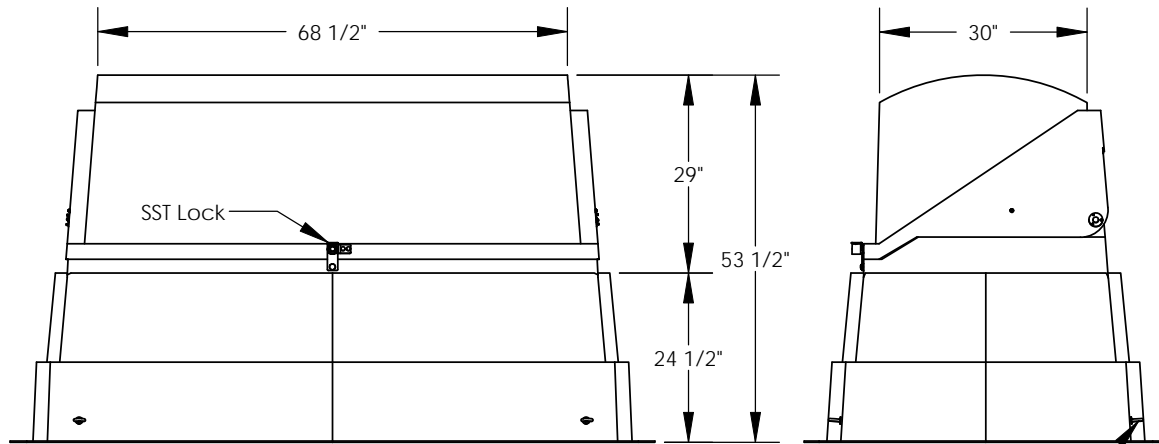
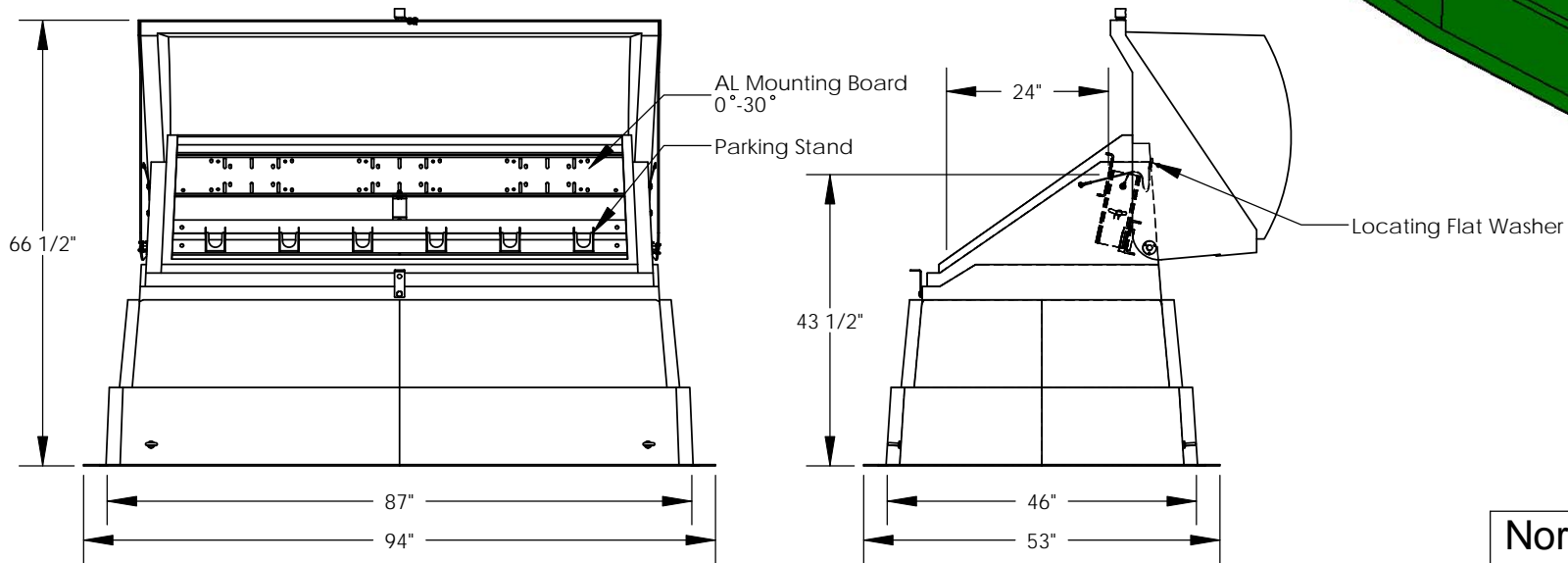
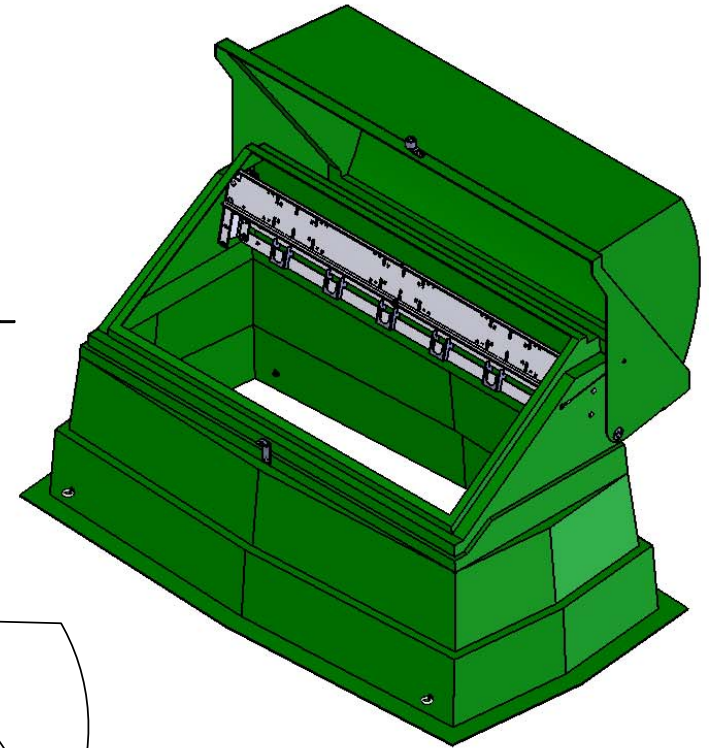


REVISIONS			
REV.	DESCRIPTION	DATE	APPROVED
REL-01		11/10/2006	
REL-02	Changed Mounting Board Angle from 12°-20°	1/30/2008	P.J.W.



ZN Coated Eyebolt  
4x



**Nordic Fiberglass, Inc.**

21415 US Hwy 75 NW, Warren, MN 56762  
www.nordicfiberglass.com  
218-745-5095 ph. --- 218-745-4990 fax

ND-683054-MG-PB71-X-X

Customer Name: N/A

DIMENSIONS ARE IN INCHES  
TOLERANCES: ANGLES  $\pm 1^\circ$   
FRACTIONAL  $\pm 1/32$   
ONE PLACE DECIMAL  $\pm .060$   
TWO PLACE DECIMAL  $\pm .030$   
THREE PLACE DECIMAL  $\pm .015$

MATERIAL

	NAME	DATE
DRAWN	P.J.W.	11/13/06
CHECKED	---	--/--

SIZE  
**A**

ITEM ID:

04062.13

REV.

**REL-02**

SCALE:1:28

SHEET 1 OF 1

**PROPRIETARY AND CONFIDENTIAL**

THE INFORMATION CONTAINED IN THIS DRAWING IS THE SOLE PROPERTY OF NORDIC FIBERGLASS, INC. ANY REPRODUCTION IN PART OR AS A WHOLE WITHOUT THE WRITTEN PERMISSION OF NORDIC FIBERGLASS, INC. IS PROHIBITED.