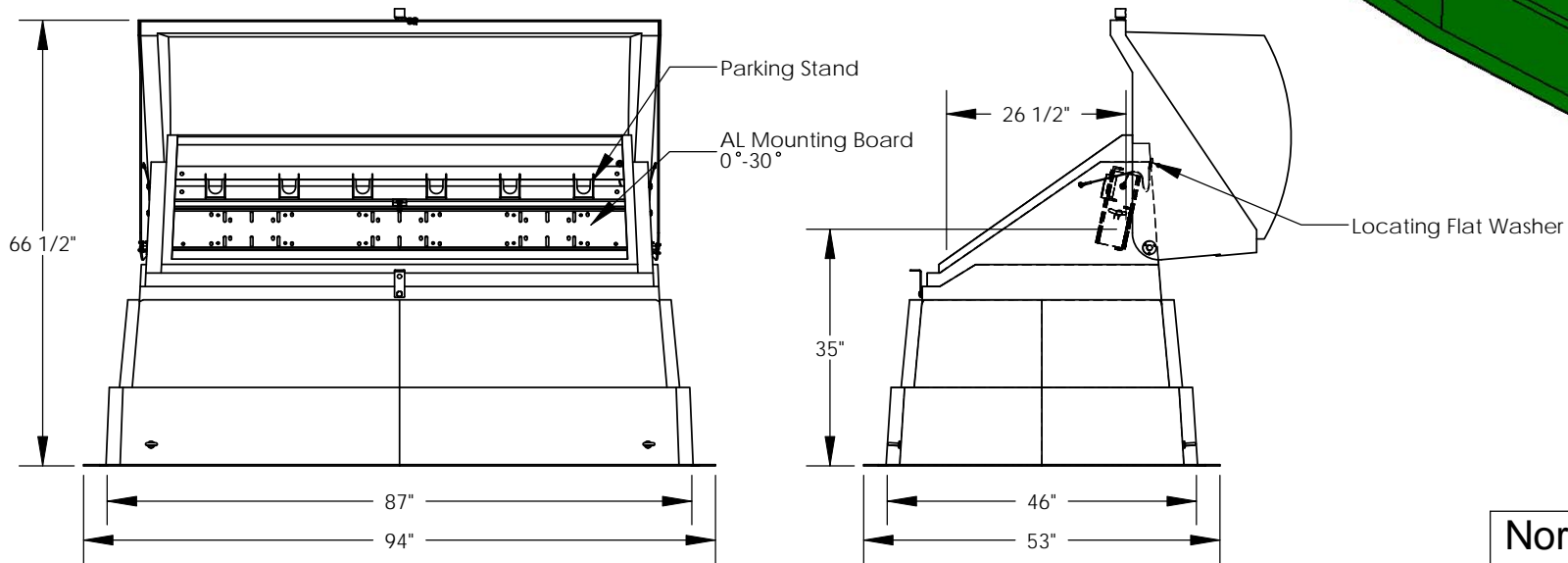
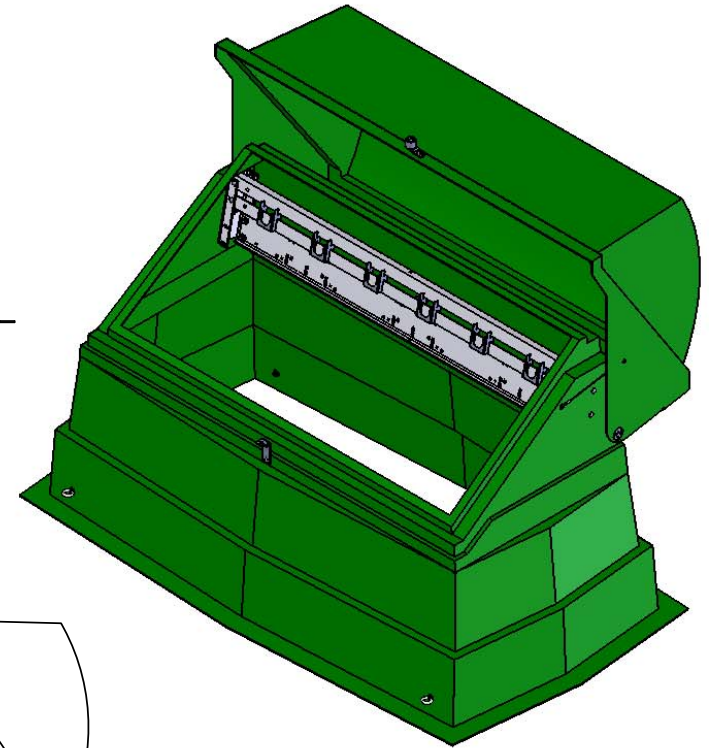
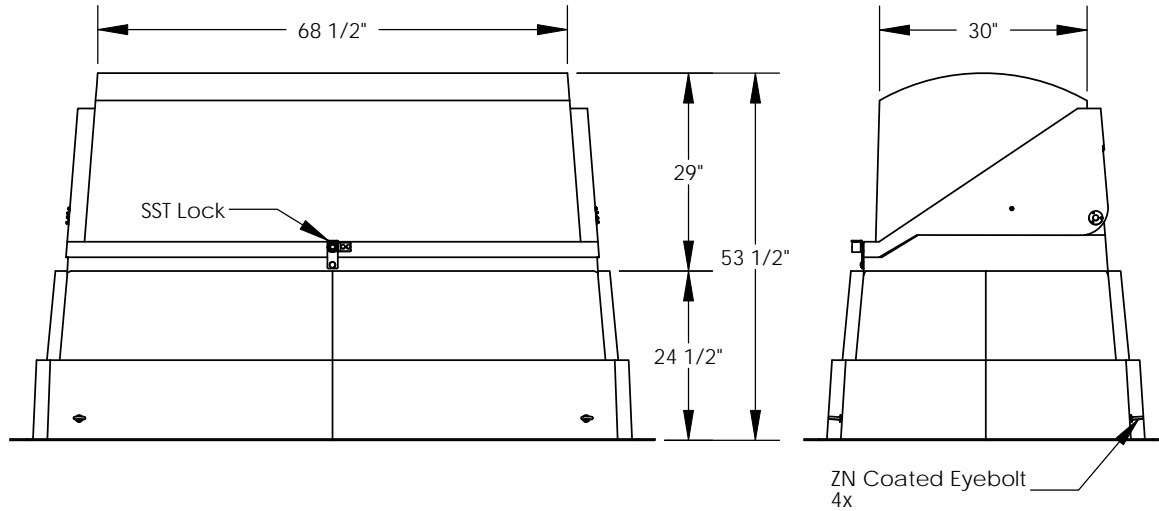


REVISIONS			
REV.	DESCRIPTION	DATE	APPROVED
REL-01		11/10/2006	
REL-02	Changed Mounting Board Angle from 12°-20°	1/30/2008	P.J.W.



Nordic Fiberglass, Inc.

21415 US Hwy 75 NW, Warren, MN 56762
 www.nordicfiberglass.com
 218-745-5095 ph. --- 218-745-4990 fax

ND-683054-MG-PA71-X-X

Customer Name: N/A

DIMENSIONS ARE IN INCHES
 TOLERANCES: ANGLES ± 1°
 FRACTIONAL ± 1/32
 ONE PLACE DECIMAL ±.060
 TWO PLACE DECIMAL ±.030
 THREE PLACE DECIMAL ±.015

MATERIAL

	NAME	DATE
DRAWN	P.J.W.	11/13/06
CHECKED	---	--/--/--

SIZE	ITEM ID:	REV.
A	04062.00	REL-02
SCALE:1:28		SHEET 1 OF 1

PROPRIETARY AND CONFIDENTIAL

THE INFORMATION CONTAINED IN THIS DRAWING IS THE SOLE PROPERTY OF NORDIC FIBERGLASS, INC. ANY REPRODUCTION IN PART OR AS A WHOLE WITHOUT THE WRITTEN PERMISSION OF NORDIC FIBERGLASS, INC. IS PROHIBITED.