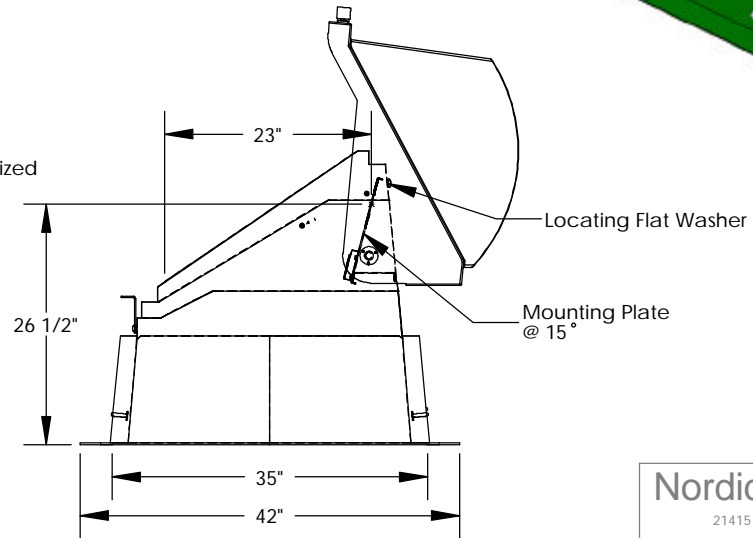
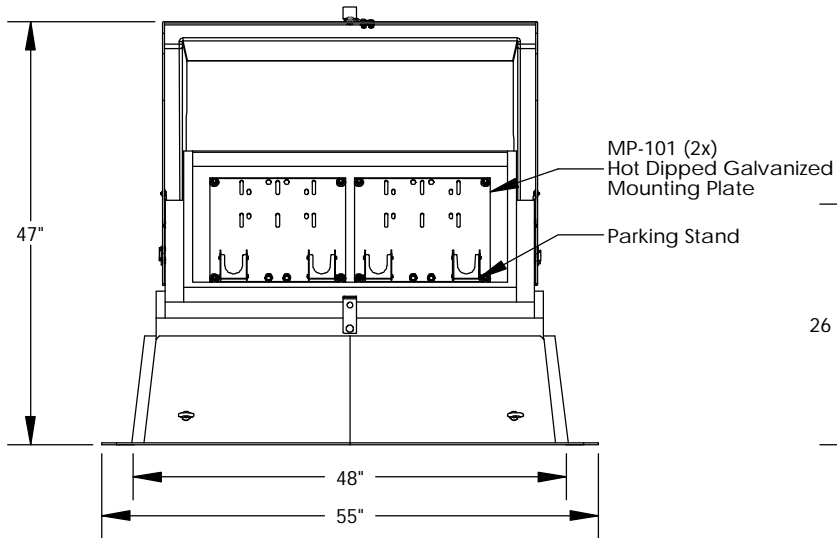
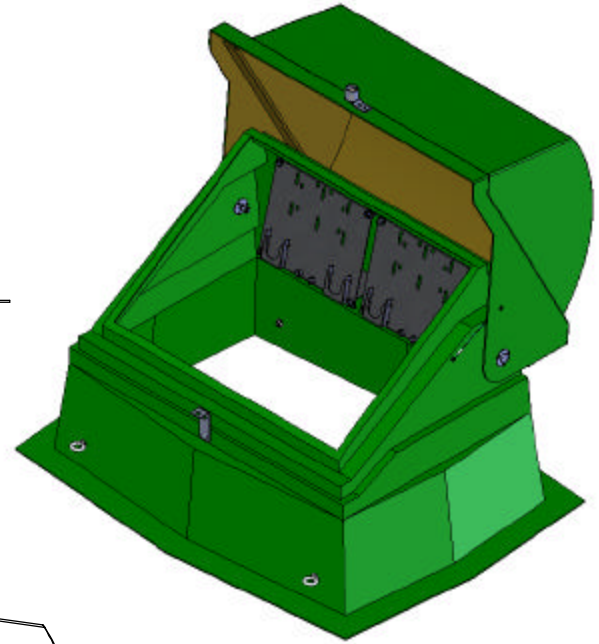
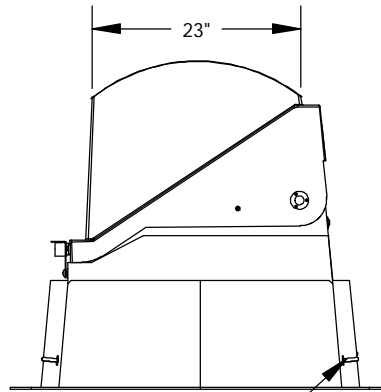
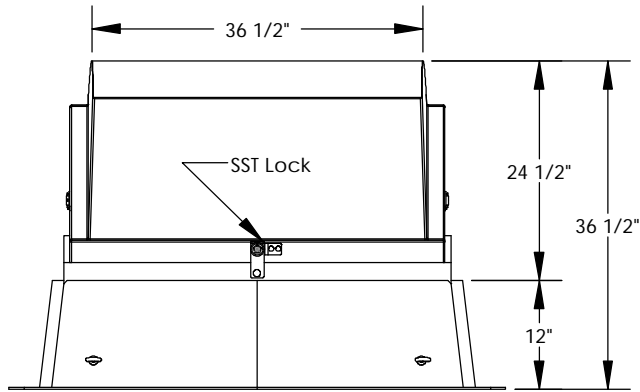


REVISIONS			
REV.	DESCRIPTION	DATE	APPROVED
REL-01		1/26/2007	



Nordic Fiberglass, Inc.
 21415 US Hwy 75 NW, Warren, MN 56762
 www.nordicfiberglass.com
 218-745-5095 ph. --- 218-745-4990 fax

ND-362436-MG-2101-X-X

PROPRIETARY AND CONFIDENTIAL
 THE INFORMATION CONTAINED IN THIS DRAWING IS THE SOLE PROPERTY OF NORDIC FIBERGLASS, INC. ANY REPRODUCTION IN PART OR AS A WHOLE WITHOUT THE WRITTEN PERMISSION OF NORDIC FIBERGLASS, INC. IS PROHIBITED.

Customer Name: N/A		
DIMENSIONS ARE IN INCHES		
TOLERANCES: ANGLES ± 1°		
FRACTIONAL ± 1/2		
ONE PLACE DECIMAL ± 0.060		
TWO PLACE DECIMAL ± 0.030		
THREE PLACE DECIMAL ± 0.015		
MATERIAL		
DRAWN	NAME	DATE
P.J.W.		01/26/07
CHECKED		

SIZE	ITEM ID:	REV.
A	04027.01	REL-01
SCALE: 1:20		SHEET 1 OF 1