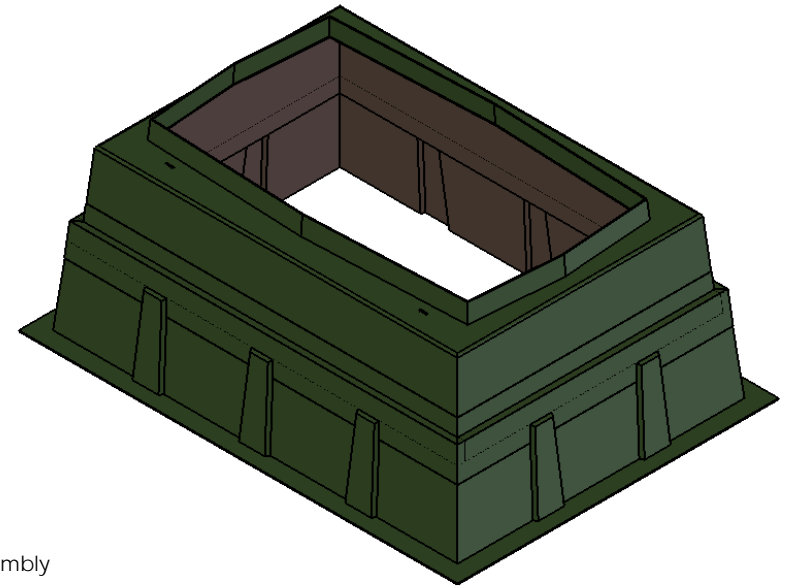
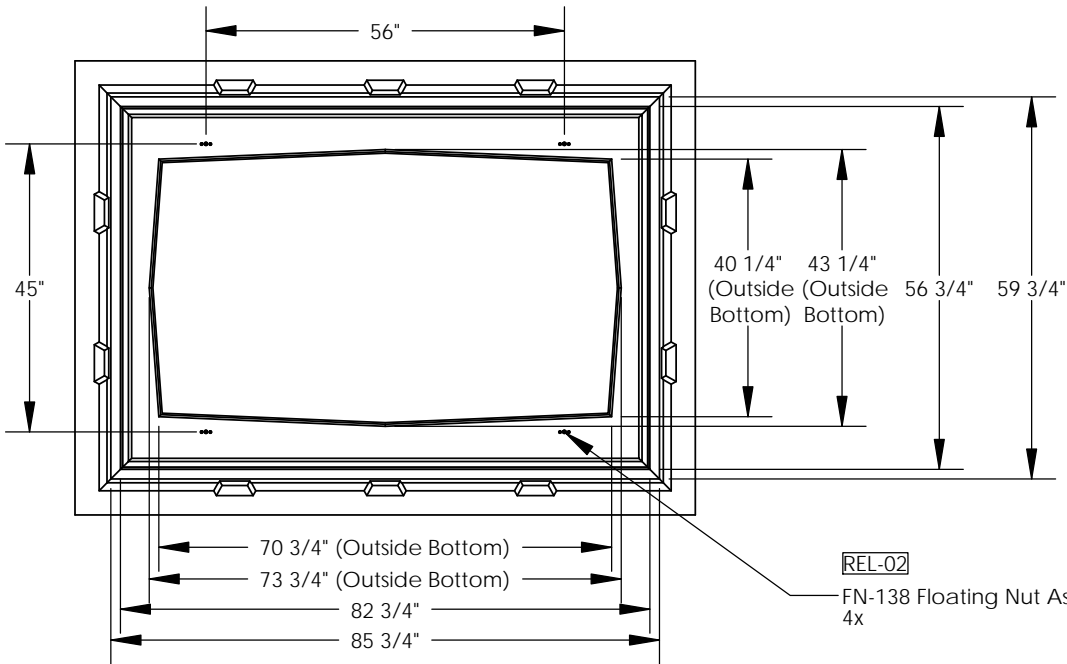
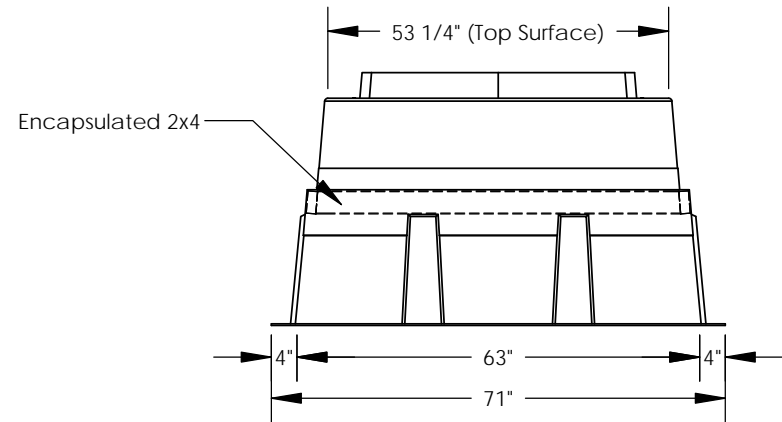
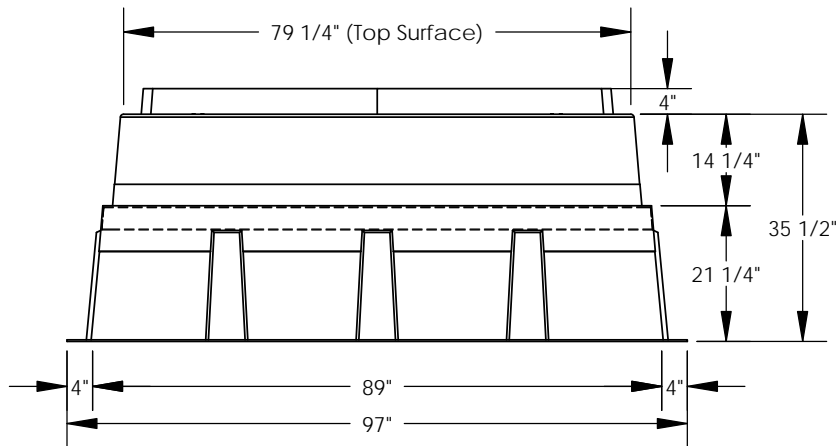


REVISIONS			
REV.	DESCRIPTION	DATE	APPROVED
REL-01		6/28/2006	
REL-02	Updated Floating Nut Location From Upturn (6) to Top Surface (4)	4/11/2017	R.L.J.



REL-02  
FN-138 Floating Nut Assembly  
4x



Includes:  
4 - 3/8"-16x1-1/2" SS HH Bolts  
4 - 3/8" Flat Washers

**Nordic Fiberglass, Inc.**

21415 US Hwy 75 NW, Warren, MN 56762  
www.nordicfiberglass.com  
218-745-5095 ph. --- 218-745-4990 fax

ND-552454-MG-36EXT

**PROPRIETARY AND CONFIDENTIAL**  
THE INFORMATION CONTAINED IN THIS DRAWING IS THE SOLE PROPERTY OF NORDIC FIBERGLASS, INC. ANY REPRODUCTION IN PART OR AS A WHOLE WITHOUT THE WRITTEN PERMISSION OF NORDIC FIBERGLASS, INC. IS PROHIBITED.

Customer Name: N/A		
DIMENSIONS ARE IN INCHES TOLERANCES: ANGLES $\pm 1^\circ$ FRACTIONAL $\pm 1/32$ ONE PLACE DECIMAL $\pm .060$ TWO PLACE DECIMAL $\pm .030$ THREE PLACE DECIMAL $\pm .015$		
MATERIAL		
DRAWN	NAME	DATE
	R.L.J.	06/27/06
CHECKED	---	--/--/--

SIZE	ITEM ID:	REV.
<b>A</b>	04010.92	<b>REL-02</b>
SCALE: 1:30	SHEET 1 OF 1	