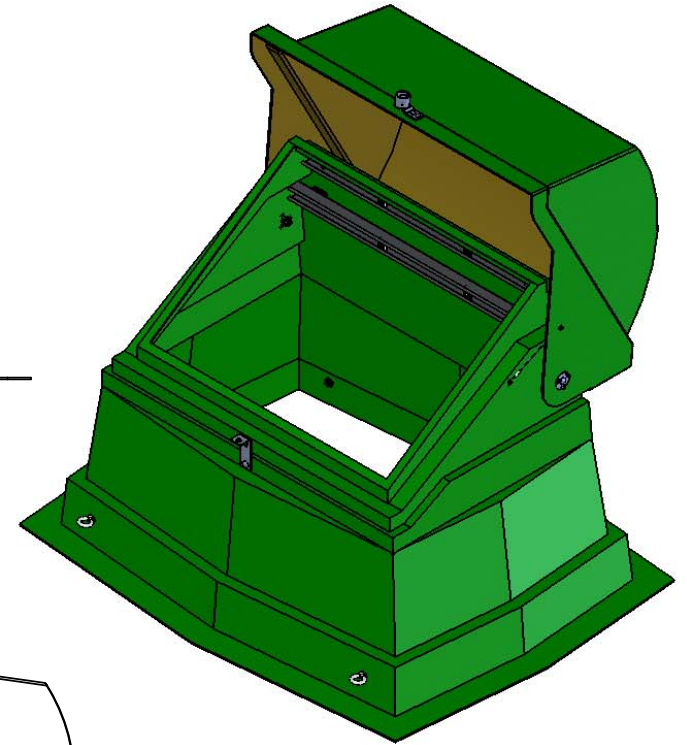
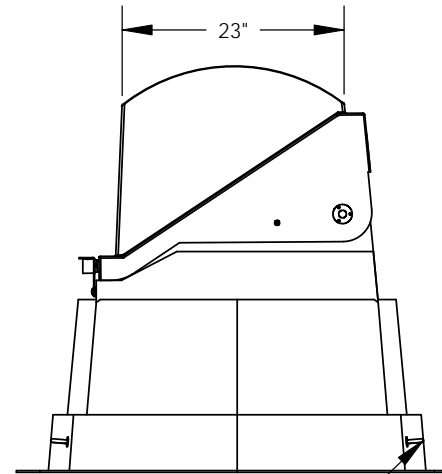
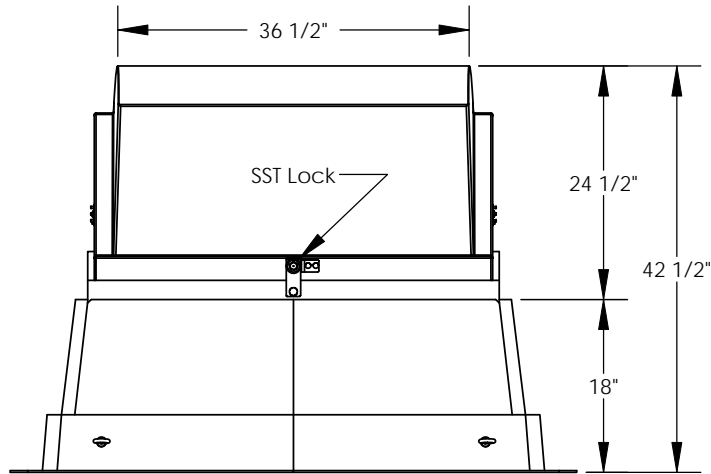
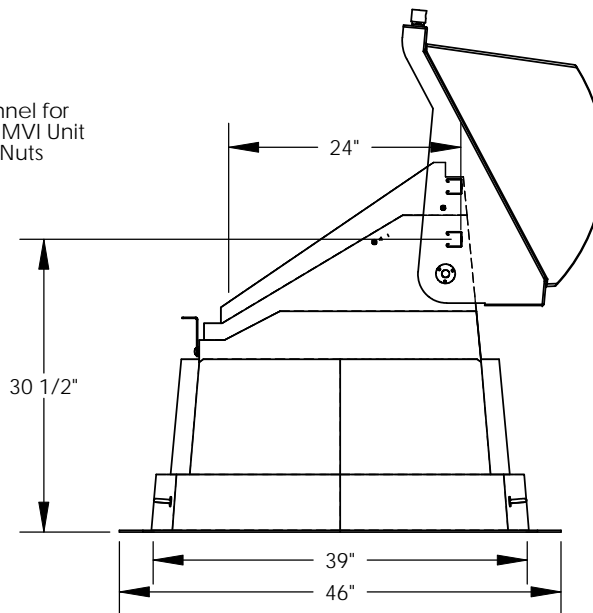
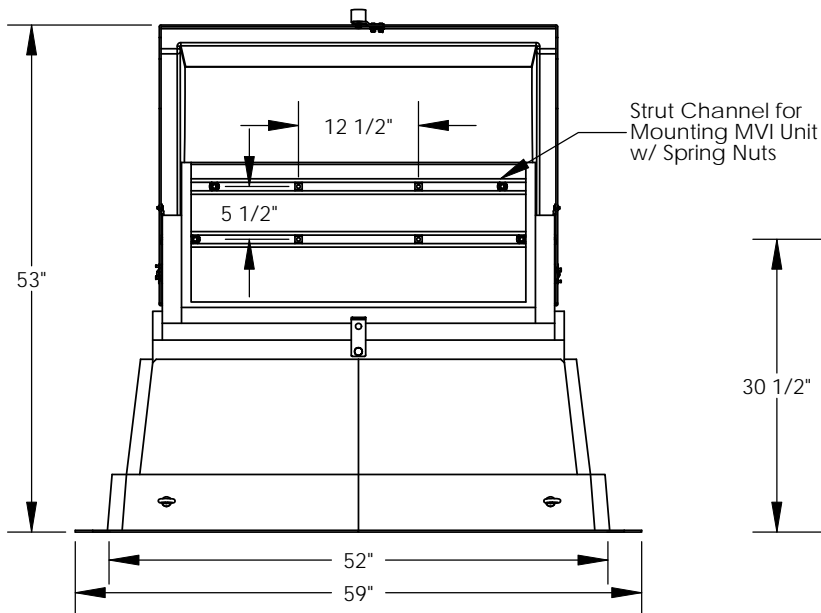


REVISIONS			
REV.	DESCRIPTION	DATE	APPROVED
REL-01		6/19/2007	



ZN Coated Eyebolts
4x



Nordic Fiberglass, Inc.
 21415 US Hwy 75 NW, Warren, MN 56762
 www.nordicfiberglass.com
 218-745-5095 ph. --- 218-745-4990 fax

ND-362442-MG-UNI2-X-X

Customer Name: N/A	MATERIAL		SIZE	ITEM ID:	REV.
DIMENSIONS ARE IN INCHES	NAME	DATE	A	04003.07	REL-01
TOLERANCES: ANGLES ± 1°	P.J.W.	06/19/07			
FRACTIONAL ± 1/32	CHECKED	--/--/--	SCALE:1:20		SHEET 1 OF 1
ONE PLACE DECIMAL ±.060					
TWO PLACE DECIMAL ±.030					
THREE PLACE DECIMAL ±.015					

PROPRIETARY AND CONFIDENTIAL
 THE INFORMATION CONTAINED IN THIS DRAWING IS THE SOLE PROPERTY OF NORDIC FIBERGLASS, INC. ANY REPRODUCTION IN PART OR AS A WHOLE WITHOUT THE WRITTEN PERMISSION OF NORDIC FIBERGLASS, INC. IS PROHIBITED.