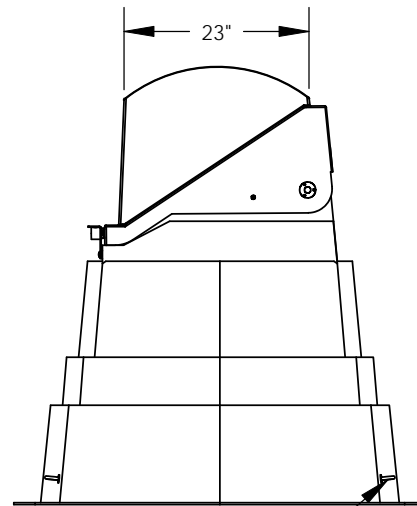
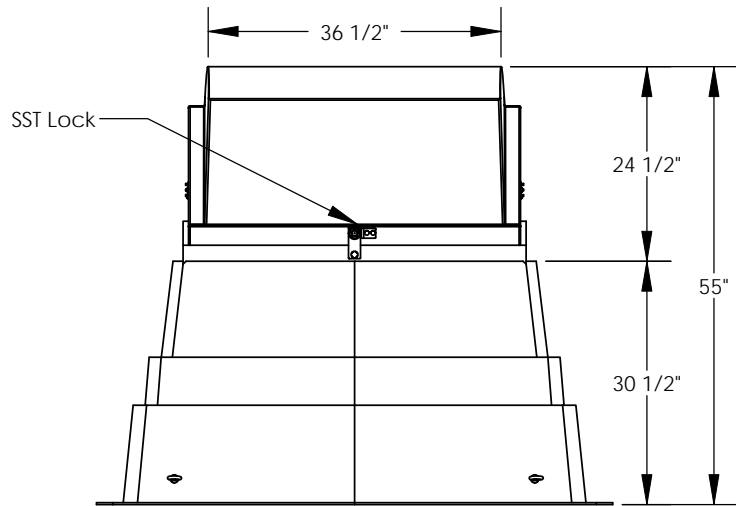
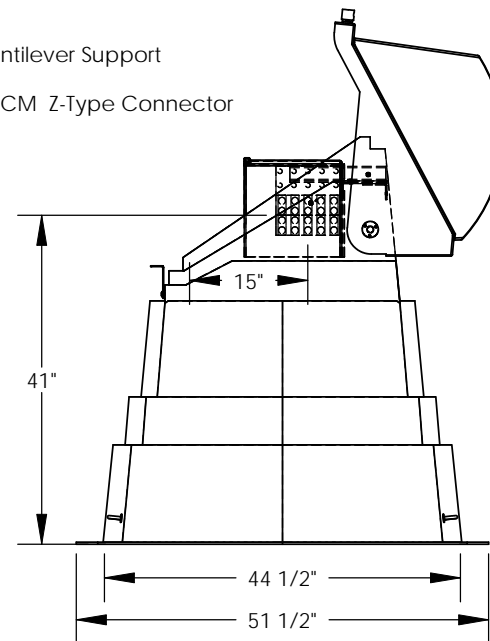
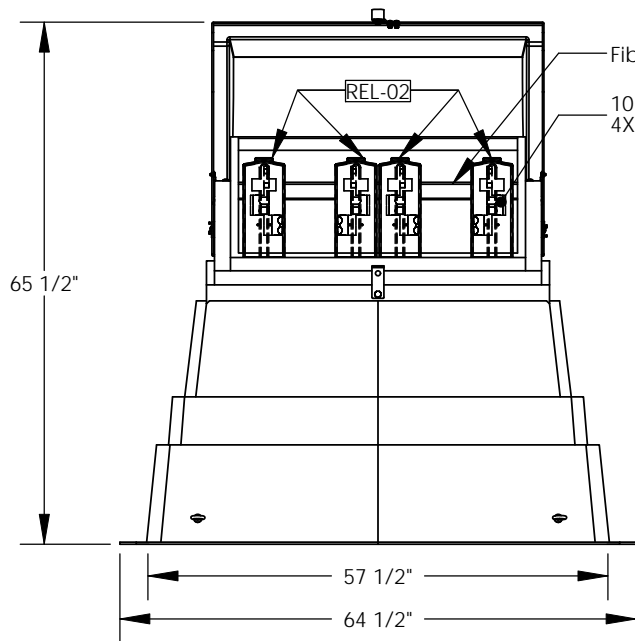
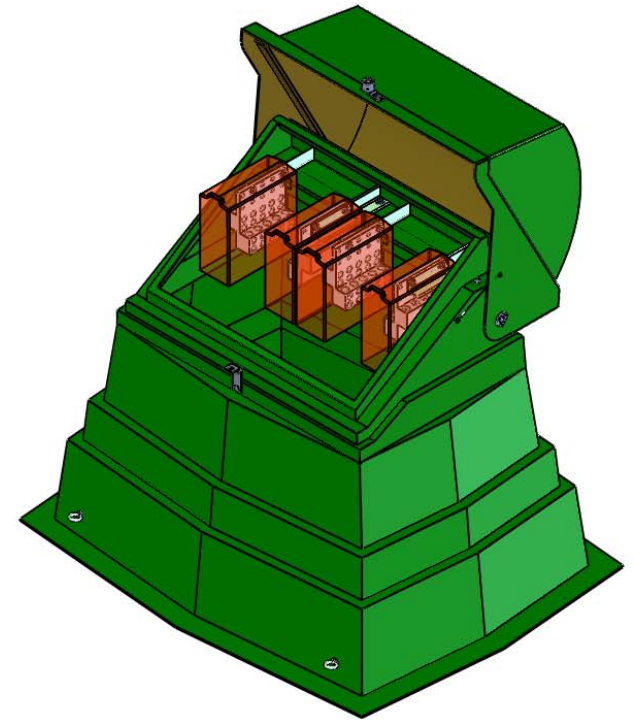


REV.	DESCRIPTION	DATE	APPROVED
REL-01		1/2/2008	
REL-02	Added Boot and Changed Connector Orientation	9/12/2008	M.F.K.



ZN Coated Eyebolts
4x



PROPRIETARY AND CONFIDENTIAL
THE INFORMATION CONTAINED IN THIS DRAWING IS THE SOLE PROPERTY OF NORDIC FIBERGLASS, INC. ANY REPRODUCTION IN PART OR AS A WHOLE WITHOUT THE WRITTEN PERMISSION OF NORDIC FIBERGLASS, INC. IS PROHIBITED.

Customer Name: N/A		
DIMENSIONS ARE IN INCHES TOLERANCES: ANGLES $\pm 1^\circ$ FRACTIONAL $\pm 1/2$ ONE PLACE DECIMAL $\pm .060$ TWO PLACE DECIMAL $\pm .030$ THREE PLACE DECIMAL $\pm .015$		
MATERIAL		
DRAWN	P.J.W.	12/20/07
CHECKED	---	--/--/--

Nordic Fiberglass, Inc.
21415 US Hwy 75 NW, Warren, MN 56762
www.nordicfiberglass.com
218-745-5095 ph. --- 218-745-4990 fax

ND-362454-MG-4HDB-10750-X

SIZE	ITEM ID:	REV.
A	04000.22	REL-02
SCALE: 1:24	SHEET 1 OF 1	