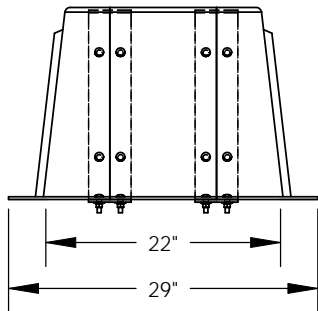
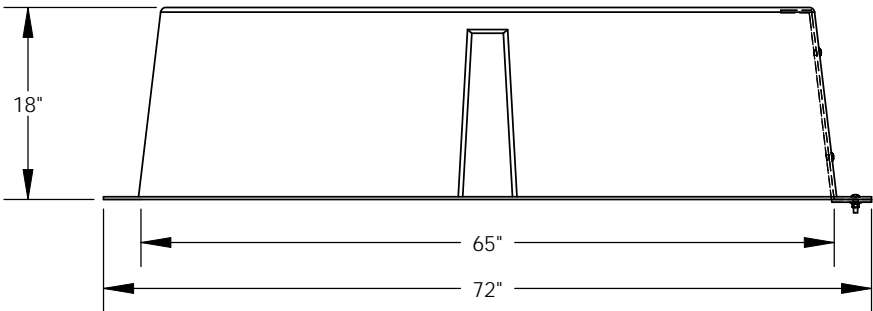
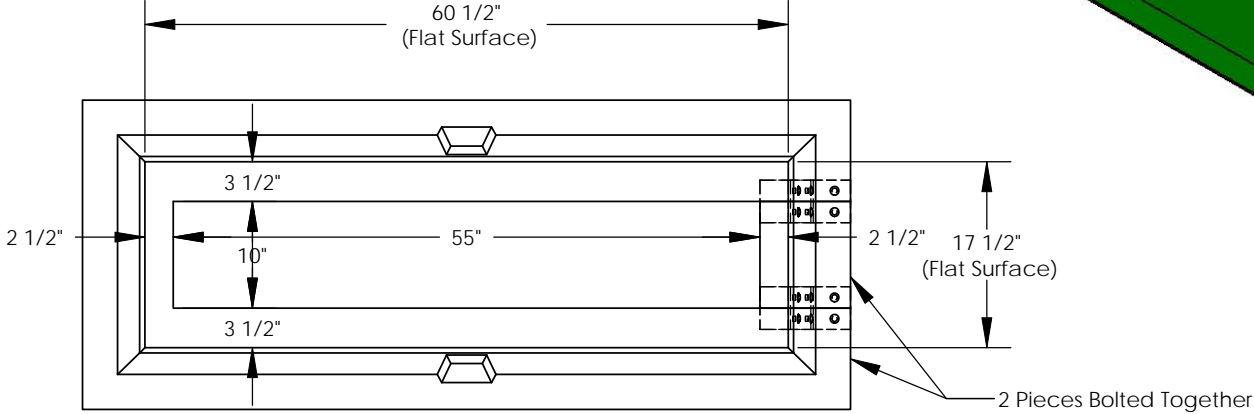
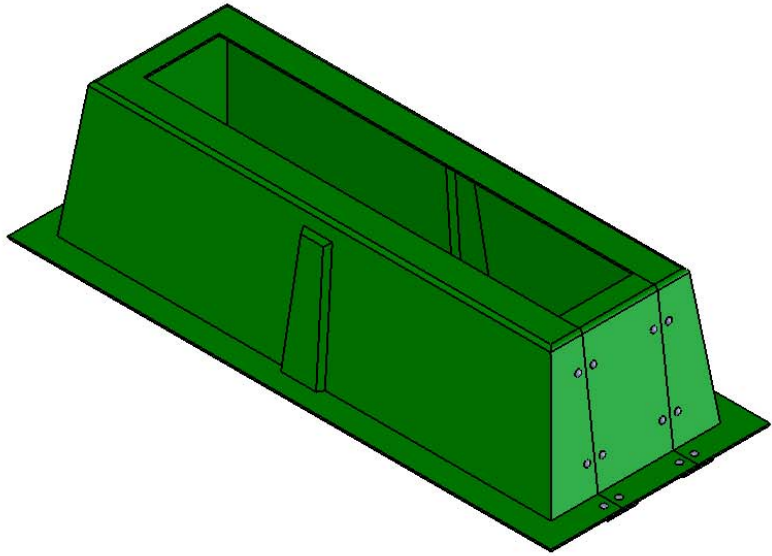


REVISIONS			
REV.	DESCRIPTION	DATE	APPROVED
REL-01		9/20/2007	



NOTE:  
Includes (12) 3/8x1.5 SST Carriage Bolts,  
(12) 3/8 SST Hex Nuts, (12) 3/8 SST Flat  
Washers, (12) 3/8 SST Lock Washers for  
Assembling Ground Sleeve

Includes (6) 3/8x1.5 ZN Hex Bolts, (6) 3/8  
ZN Hex Nuts, (12) 3/8 ZN Flat Washers, (6)  
1/2 ZN Flat Washers

**Nordic Fiberglass, Inc.**  
21415 US Hwy 75 NW, Warren, MN 56762  
www.nordicfiberglass.com  
218-745-5095 ph. --- 218-745-4990 fax

RGS-61-18-18-MG-55x10		REV.
SIZE	ITEM ID:	REV.
<b>A</b>	03540.00	<b>REL-01</b>
SCALE: 1:18	SHEET 1 OF 1	

**PROPRIETARY AND CONFIDENTIAL**  
THE INFORMATION CONTAINED IN THIS DRAWING IS THE SOLE PROPERTY OF  
NORDIC FIBERGLASS, INC. ANY REPRODUCTION IN PART OR AS A WHOLE  
WITHOUT THE WRITTEN PERMISSION OF NORDIC FIBERGLASS, INC. IS PROHIBITED.

Customer Name: N/A		
DIMENSIONS ARE IN INCHES		
TOLERANCES: ANGLES ± 1°		
FRACTIONAL ± 1/2		
ONE PLACE DECIMAL ±.060		
TWO PLACE DECIMAL ±.030		
THREE PLACE DECIMAL ±.015		
MATERIAL		
DRAWN	NAME	DATE
	P.J.W.	09/20/07
CHECKED	---	--/--/--