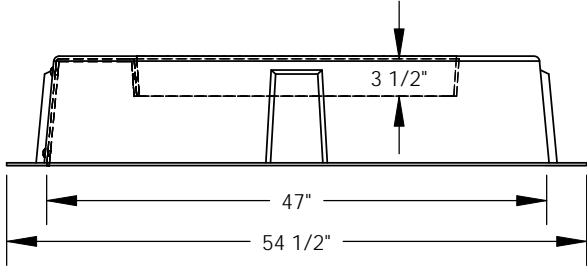
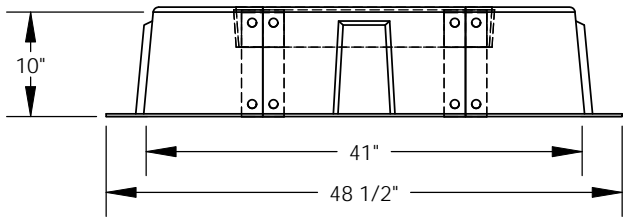
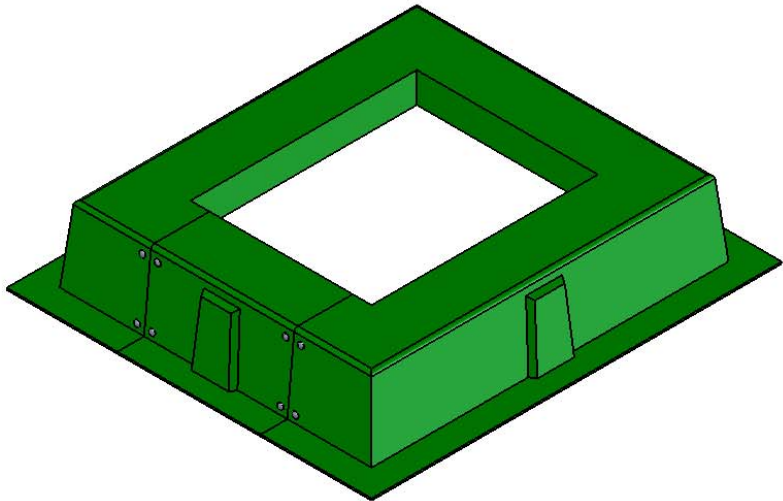
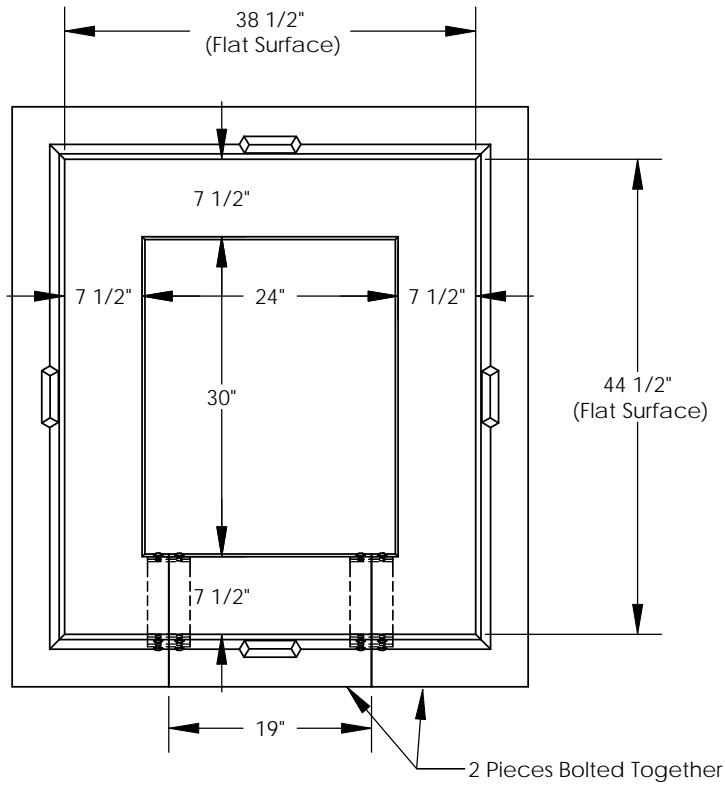


| REVISIONS |             |          |          |
|-----------|-------------|----------|----------|
| REV.      | DESCRIPTION | DATE     | APPROVED |
| REL-01    |             | 9/5/2007 |          |



NOTE:  
Includes (12) 3/8x1.5 SST Carriage Bolts,  
(12) 3/8 SST Hex Nuts, (12) 3/8 SST Flat  
Washers, (12) 3/8 SST Lock Washers

**Nordic Fiberglass, Inc.**

21415 US Hwy 75 NW, Warren, MN 56762  
www.nordicfiberglass.com  
218-745-5095 ph. --- 218-745-4990 fax

RGS-37-43-10-MG-24x30

**PROPRIETARY AND CONFIDENTIAL**  
THE INFORMATION CONTAINED IN THIS DRAWING IS THE SOLE PROPERTY OF  
NORDIC FIBERGLASS, INC. ANY REPRODUCTION IN PART OR AS A WHOLE  
WITHOUT THE WRITTEN PERMISSION OF NORDIC FIBERGLASS, INC. IS PROHIBITED.

|                           |        |          |
|---------------------------|--------|----------|
| Customer Name: N/A        |        |          |
| DIMENSIONS ARE IN INCHES  |        |          |
| TOLERANCES: ANGLES ± 1°   |        |          |
| FRACTIONAL ± 1/2          |        |          |
| ONE PLACE DECIMAL ±.060   |        |          |
| TWO PLACE DECIMAL ±.030   |        |          |
| THREE PLACE DECIMAL ±.015 |        |          |
| MATERIAL                  |        |          |
| DRAWN                     | NAME   | DATE     |
|                           | P.J.W. | 09/05/07 |
| CHECKED                   | ---    | --/--/-- |

|            |          |               |
|------------|----------|---------------|
| SIZE       | ITEM ID: | REV.          |
| <b>A</b>   | 03520.00 | <b>REL-01</b> |
| SCALE:1:18 |          | SHEET 1 OF 1  |