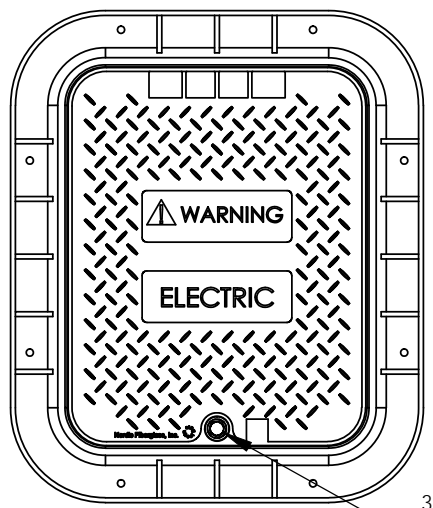
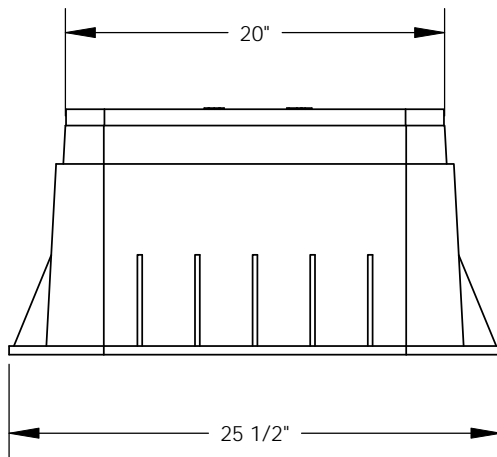
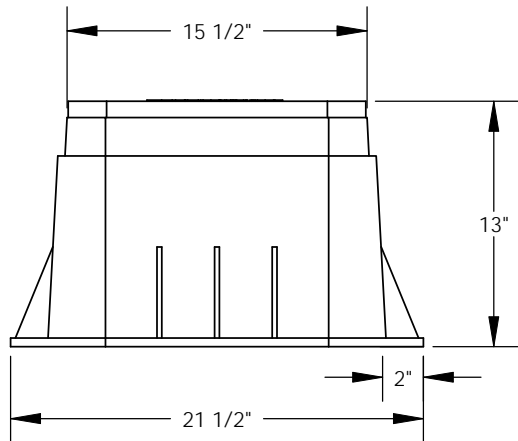
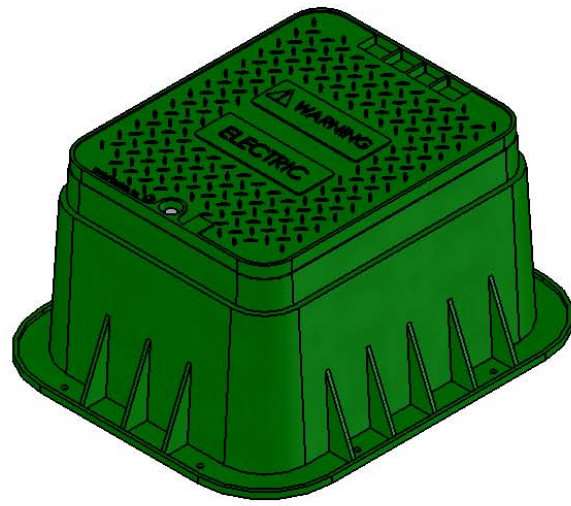


REVISIONS			
REV.	DESCRIPTION	DATE	APPROVED
REL-01		6/20/2006	
REL-02	Updated Cover to Injection Molded	12/1/2009	R.L.J.



3/8-16 SST  
Pentahead Bolt



**Nordic Fiberglass, Inc.**  
 21415 US Hwy 75 NW, Warren, MN 56762  
 www.nordicfiberglass.com  
 218-745-5095 ph. --- 218-745-4990 fax

PHH-161912-MG		REV.
SIZE	ITEM ID:	REV.
<b>A</b>	03513.00	<b>REL-02</b>
SCALE:1:10	SHEET 1 OF 1	

**PROPRIETARY AND CONFIDENTIAL**  
 THE INFORMATION CONTAINED IN THIS DRAWING IS THE SOLE PROPERTY OF  
 NORDIC FIBERGLASS, INC. ANY REPRODUCTION IN PART OR AS A WHOLE  
 WITHOUT THE WRITTEN PERMISSION OF NORDIC FIBERGLASS, INC. IS PROHIBITED.

Customer Name: N/A		
DIMENSIONS ARE IN INCHES TOLERANCES: ANGLES ± 1° FRACTIONAL ± 1/2 ONE PLACE DECIMAL ±.060 TWO PLACE DECIMAL ±.030 THREE PLACE DECIMAL ±.015		
MATERIAL	NAME	DATE
DRAWN	P.J.W.	06/20/06
CHECKED	---	--/--/--