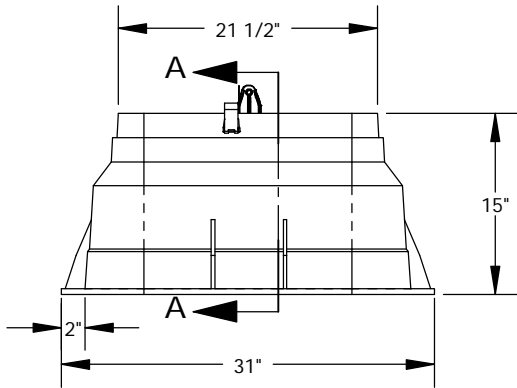
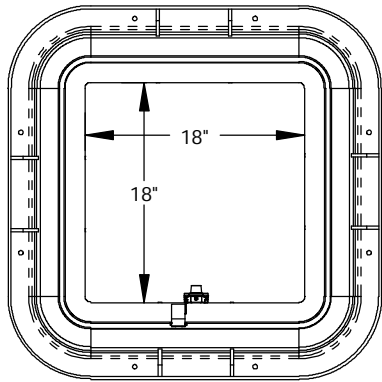
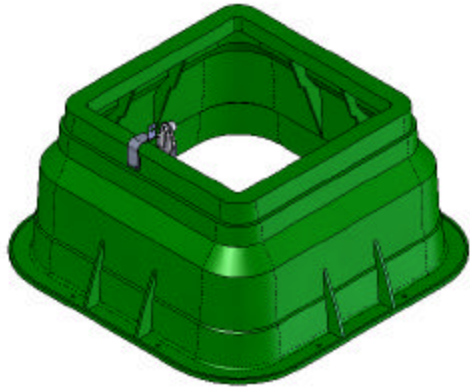
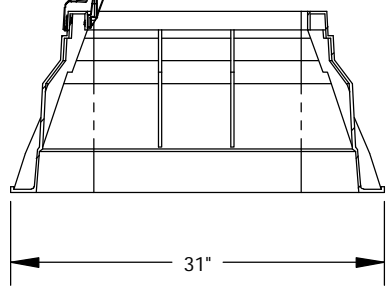


REVISIONS			
REV.	DESCRIPTION	DATE	APPROVED
REL-01		1/23/2006	



SST Hasp Plastic Z-Bracket



SECTION A-A
SCALE 1 : 15

Nordic Fiberglass, Inc.

21415 US Hwy 75 NW, Warren, MN 56762
www.nordicfiberglass.com
218-745-5095 ph. --- 218-745-4990 fax

PSPB-212115-MG

PROPRIETARY AND CONFIDENTIAL
THE INFORMATION CONTAINED IN THIS DRAWING IS THE SOLE PROPERTY OF NORDIC FIBERGLASS, INC. ANY REPRODUCTION IN PART OR AS A WHOLE WITHOUT THE WRITTEN PERMISSION OF NORDIC FIBERGLASS, INC. IS PROHIBITED.

Customer Name: N/A		MATERIAL		SIZE		ITEM ID:		REV.	
DIMENSIONS ARE IN INCHES				A		03510.99		REL-01	
TOLERANCES: ANGLES ± 1°				DRAWN		P.J.W.		01/20/06	
FRACTIONAL ± 1/2				CHECKED		---		--/--	
ONE PLACE DECIMAL ±.060				SCALE:1:15				SHEET 1 OF 1	
TWO PLACE DECIMAL ±.030									
THREE PLACE DECIMAL ±.015									