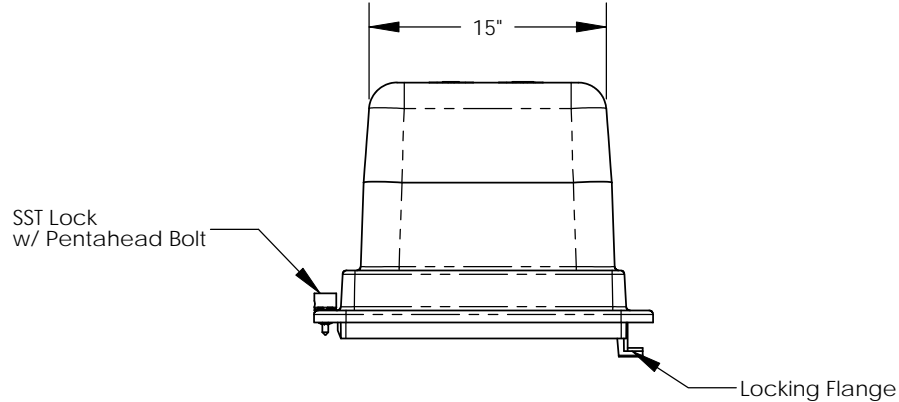
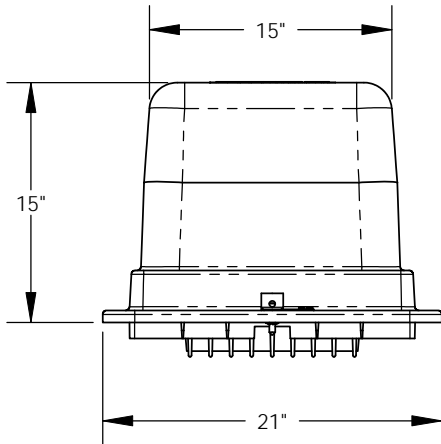
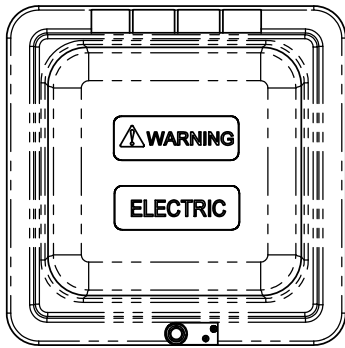
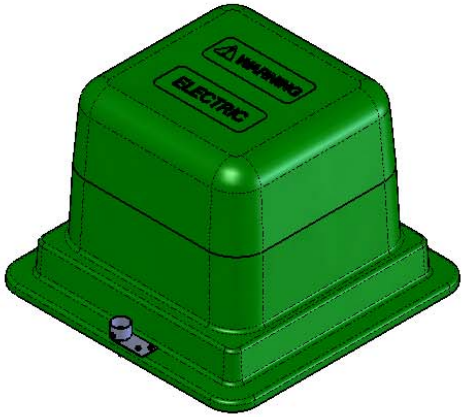


| REVISIONS | | | |
|-----------|-------------|------|----------|
| REV. | DESCRIPTION | DATE | APPROVED |



PROPRIETARY AND CONFIDENTIAL
 THE INFORMATION CONTAINED IN THIS DRAWING IS THE SOLE PROPERTY OF
 NORDIC FIBERGLASS, INC. ANY REPRODUCTION IN PART OR AS A WHOLE
 WITHOUT THE WRITTEN PERMISSION OF NORDIC FIBERGLASS, INC. IS PROHIBITED.

| Customer Name: N/A | | |
|----------------------------------|--------|----------|
| DIMENSIONS ARE IN INCHES | | |
| TOLERANCES: ANGLES $\pm 1^\circ$ | | |
| FRACTIONAL $\pm 1/32$ | | |
| ONE PLACE DECIMAL $\pm .060$ | | |
| TWO PLACE DECIMAL $\pm .030$ | | |
| THREE PLACE DECIMAL $\pm .015$ | | |
| MATERIAL | | |
| DRAWN | NAME | DATE |
| CHECKED | P.J.W. | 07/30/07 |
| | | --/--/-- |

Nordic Fiberglass, Inc.
 21415 US Hwy 75 NW, Warren, MN 56762
 www.nordicfiberglass.com
 218-745-5095 ph. --- 218-745-4990 fax

| | | |
|-----------------|----------|---------------|
| PSPXT-151515-MG | | REV. |
| SIZE | ITEM ID: | REV. |
| A | 03510.91 | REL-01 |
| SCALE:1:12 | | SHEET 1 OF 1 |