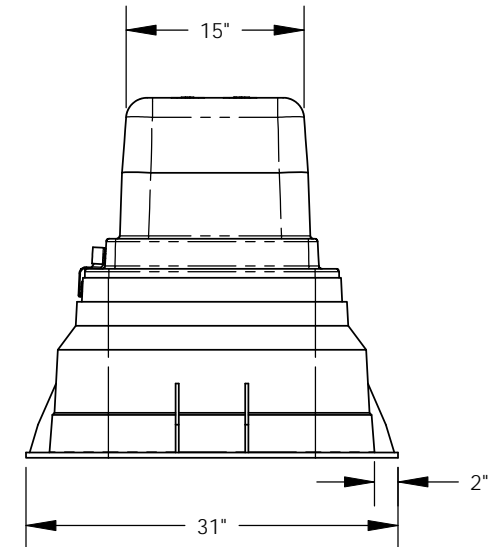
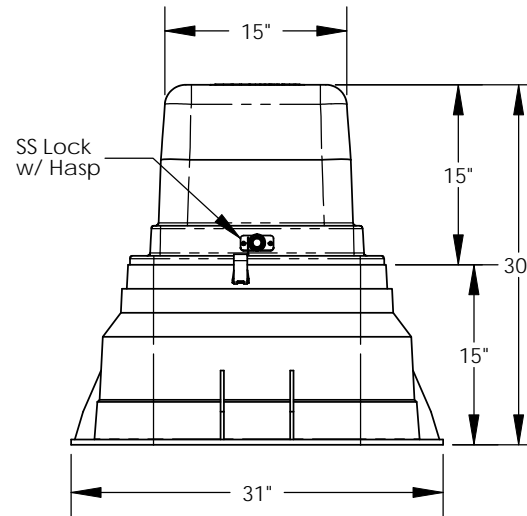
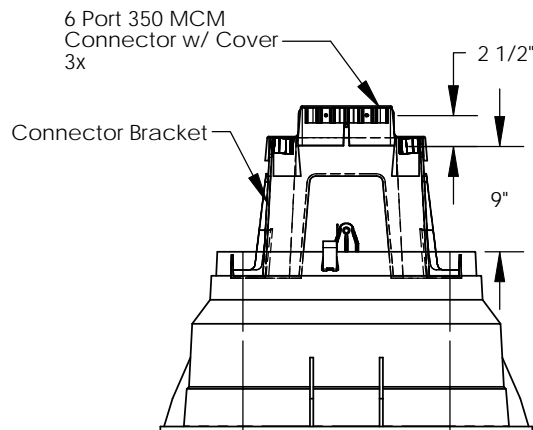
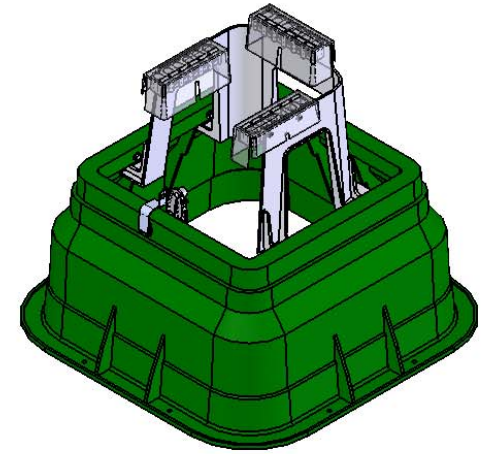
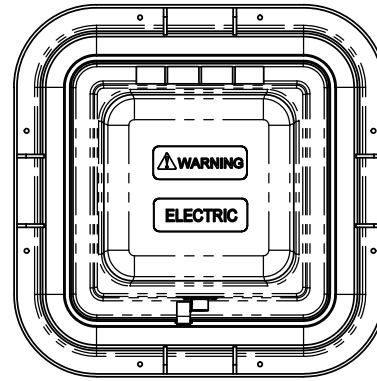


REVISIONS			
REV.	DESCRIPTION	DATE	APPROVED
REL-01		10/31/2008	



PROPRIETARY AND CONFIDENTIAL
 THE INFORMATION CONTAINED IN THIS DRAWING IS THE SOLE PROPERTY OF NORDIC FIBERGLASS, INC. ANY REPRODUCTION IN PART OR AS A WHOLE WITHOUT THE WRITTEN PERMISSION OF NORDIC FIBERGLASS, INC. IS PROHIBITED.

Customer Name: N/A		
DIMENSIONS ARE IN INCHES TOLERANCES: ANGLES $\pm 1^\circ$ FRACTIONAL $\pm 1/2$ ONE PLACE DECIMAL $\pm .060$ TWO PLACE DECIMAL $\pm .030$ THREE PLACE DECIMAL $\pm .015$		
MATERIAL		
DRAWN	M.F.K.	10/31/08
CHECKED	---	--/--/--

Nordic Fiberglass, Inc.		
21415 US Hwy 75 NW, Warren, MN 56762 www.nordicfiberglass.com 218-745-5095 ph. --- 218-745-4990 fax		
PSP-151530-MG-L6350		
SIZE	ITEM ID:	REV.
A	03510.22	REL-01
SCALE: 1:16	SHEET 1 OF 1	