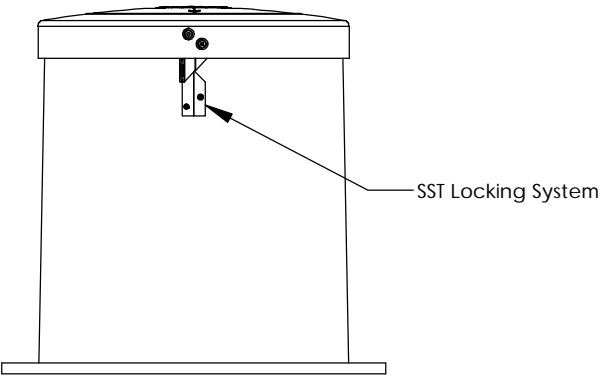
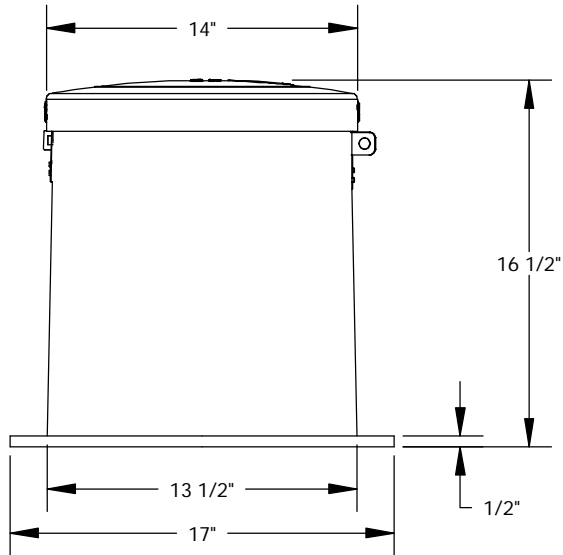
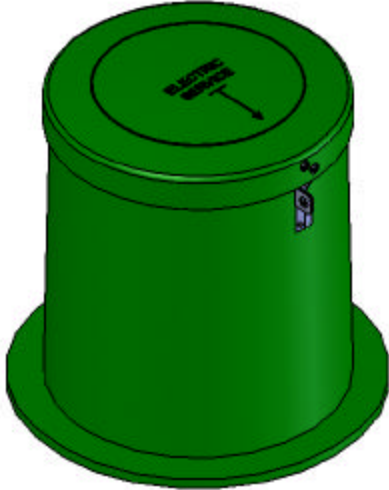
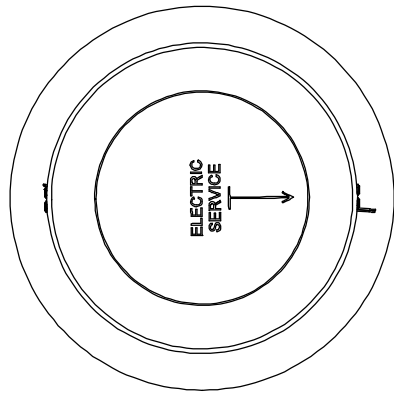


REVISIONS			
REV.	DESCRIPTION	DATE	APPROVED
REL-01		5/16/2006	



**PROPRIETARY AND CONFIDENTIAL**  
 THE INFORMATION CONTAINED IN THIS DRAWING IS THE SOLE PROPERTY OF  
 NORDIC FIBERGLASS, INC. ANY REPRODUCTION IN PART OR AS A WHOLE  
 WITHOUT THE WRITTEN PERMISSION OF NORDIC FIBERGLASS, INC. IS PROHIBITED.

Customer Name: N/A		
DIMENSIONS ARE IN INCHES		
TOLERANCES: ANGLES ± 1°		
FRACTIONAL ± 1/2		
ONE PLACE DECIMAL ± .060		
TWO PLACE DECIMAL ± .030		
THREE PLACE DECIMAL ± .015		
DRAWN	P.J.W.	05/15/06
CHECKED	---	---

**Nordic Fiberglass, Inc.**  
 21415 US Hwy 75 NW, Warren, MN 56762  
 www.nordicfiberglass.com  
 218-745-5095 ph. --- 218-745-4990 fax

P-65-MG, OUTER BELL W/LID	
SIZE	ITEM ID: 03230.00
SCALE: 1:8	REV. REL-01
SHEET 1 OF 1	