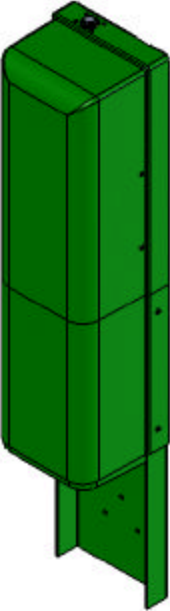
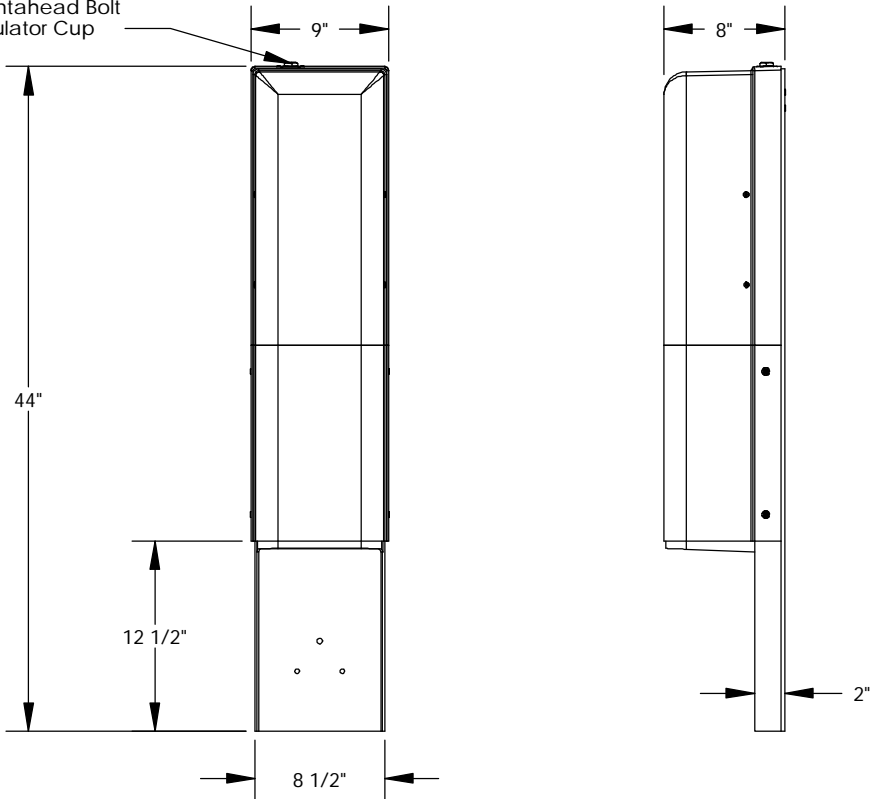


REVISIONS			
REV.	DESCRIPTION	DATE	APPROVED
REL-01		5/23/2006	



SST Pentahead Bolt  
w/ Insulator Cup



**Nordic Fiberglass, Inc.**

21415 US Hwy 75 NW, Warren, MN 56762  
www.nordicfiberglass.com  
218-745-5095 ph. ... 218-745-4990 fax

P-50-P-MG

**PROPRIETARY AND CONFIDENTIAL**  
THE INFORMATION CONTAINED IN THIS DRAWING IS THE SOLE PROPERTY OF NORDIC FIBERGLASS, INC. ANY REPRODUCTION IN PART OR AS A WHOLE WITHOUT THE WRITTEN PERMISSION OF NORDIC FIBERGLASS, INC. IS PROHIBITED.

Customer Name: N/A			DIMENSIONS ARE IN INCHES		MATERIAL		P-50-P-MG	
			TOLERANCES: ANGLES ± 1°				21415 US Hwy 75 NW, Warren, MN 56762	
			FRACTIONAL ± 1/2				www.nordicfiberglass.com	
			ONE PLACE DECIMAL ± .060		DRAWN		218-745-5095 ph. ... 218-745-4990 fax	
			TWO PLACE DECIMAL ± .030		P.J.W.		SIZE	
			THREE PLACE DECIMAL ± .015		05/23/06		A	
					CHECKED		ITEM ID: 03140.00	
					---		REV. REL-01	
					--/--		SCALE: 1:16	
							SHEET 1 OF 1	