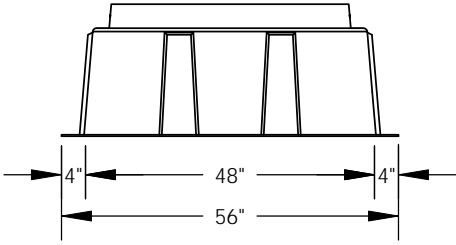
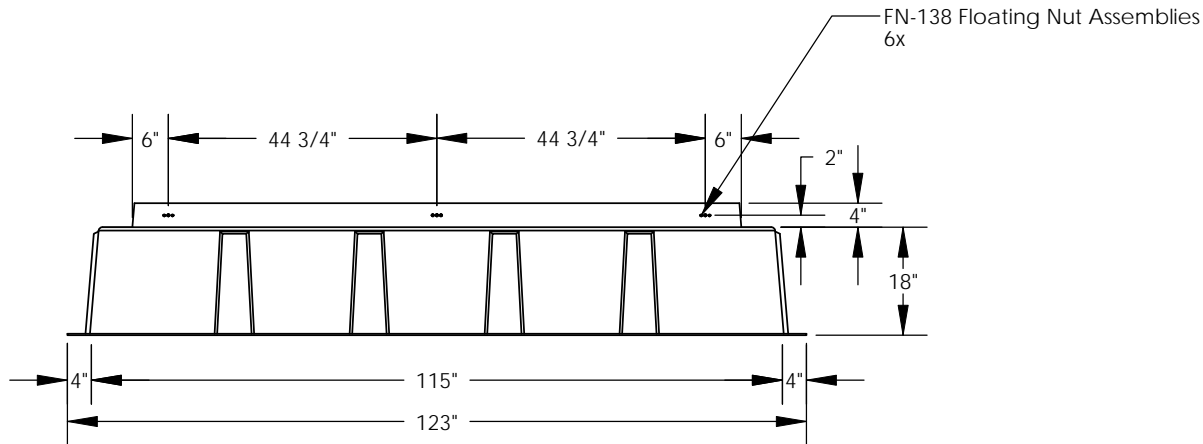
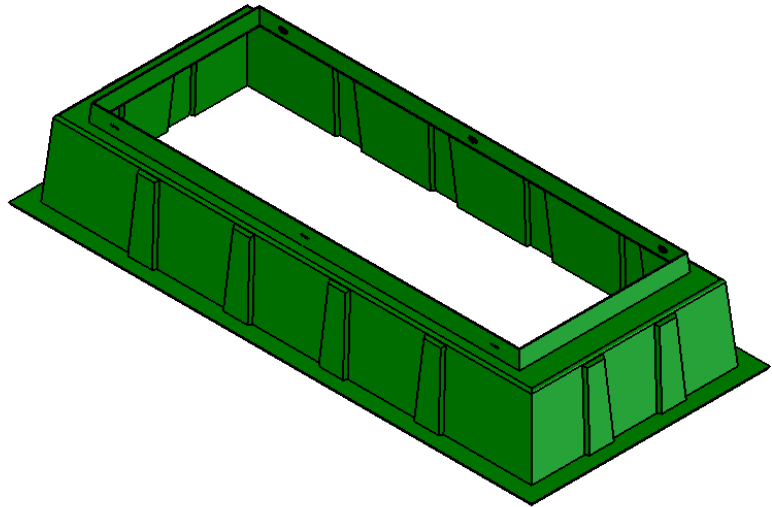
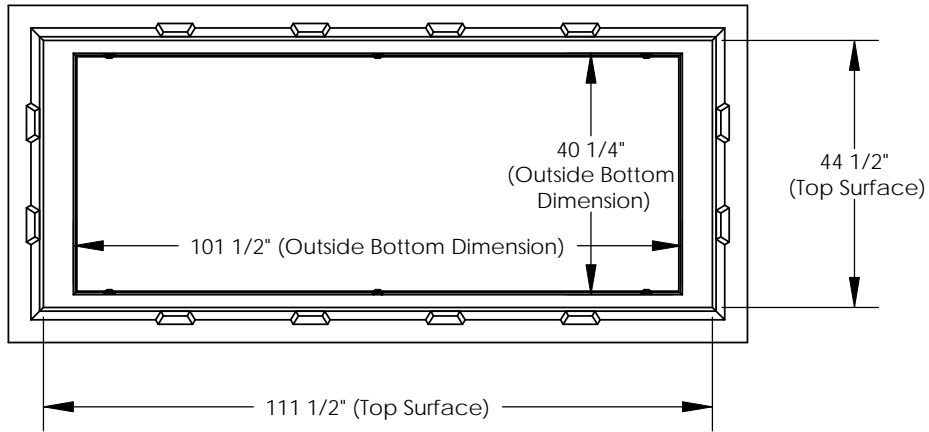


REVISIONS			
REV.	DESCRIPTION	DATE	APPROVED
REL-01		4/16/2007	



Includes:
 6 - 3/8"-16x1-1/2" SS HH Bolts
 6 - 3/8" Flat Washers

Nordic Fiberglass, Inc.
 21415 US Hwy 75 NW, Warren, MN 56762
 www.nordicfiberglass.com
 218-745-5095 ph. --- 218-745-4990 fax

PROPRIETARY AND CONFIDENTIAL
 THE INFORMATION CONTAINED IN THIS DRAWING IS THE SOLE PROPERTY OF NORDIC FIBERGLASS, INC. ANY REPRODUCTION IN PART OR AS A WHOLE WITHOUT THE WRITTEN PERMISSION OF NORDIC FIBERGLASS, INC. IS PROHIBITED.

Customer Name: N/A		
DIMENSIONS ARE IN INCHES TOLERANCES: ANGLES $\pm 1^\circ$ FRACTIONAL $\pm 1/2$ ONE PLACE DECIMAL $\pm .060$ TWO PLACE DECIMAL $\pm .030$ THREE PLACE DECIMAL $\pm .015$		
MATERIAL	ERROR!Material	
DRAWN	R.L.J.	08/22/06
CHECKED	---	--/--

ND-325-MG-18EXT		
SIZE	ITEM ID:	REV.
A	02790.96	REL-01
SCALE:1:32	SHEET 1 OF 1	