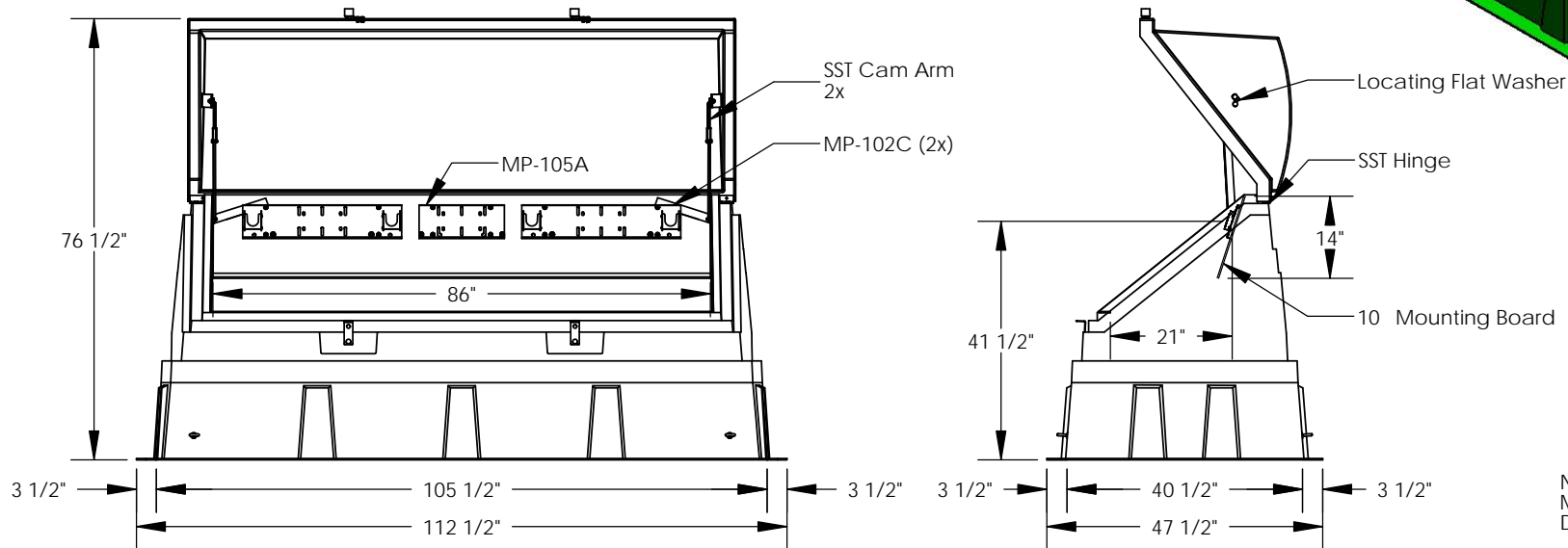
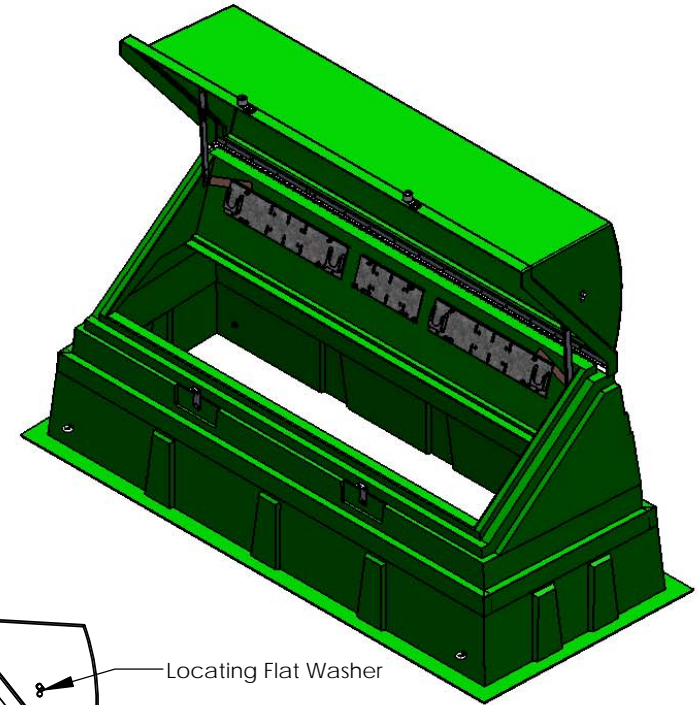
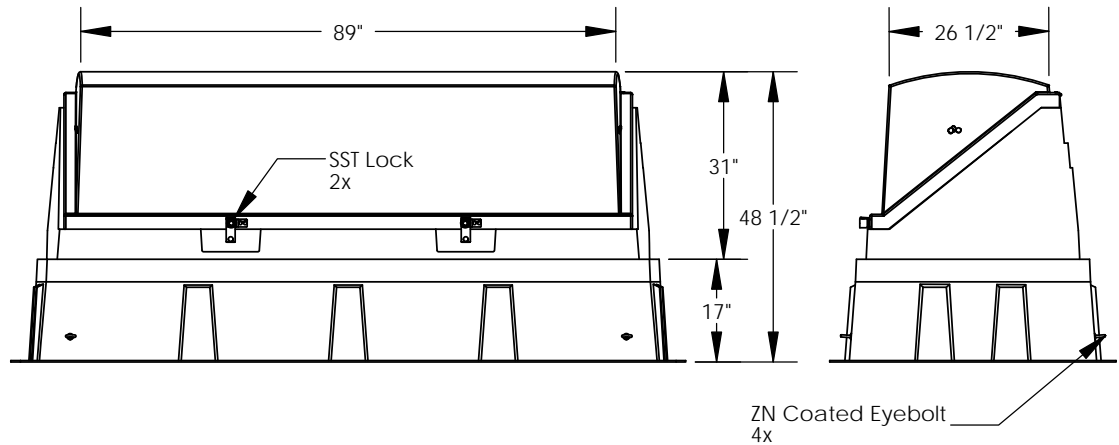


| REVISIONS | | | |
|-----------|-------------|------------|----------|
| REV. | DESCRIPTION | DATE | APPROVED |
| REL-01 | | 10/11/2006 | |



NOTE:
Mounting Plates are Hot
Dipped Galvanized

Nordic Fiberglass, Inc.

21415 US Hwy 75 NW, Warren, MN 56762
www.nordicfiberglass.com
218-745-5095 ph. --- 218-745-4990 fax

ND-325-MG-2C5A-X-X

| | | |
|--------------------------|--------|----------|
| Customer Name: N/A | | |
| DIMENSIONS ARE IN INCHES | | |
| TOLERANCES: ANGLES 1° | | |
| FRACTIONAL 1/32 | | |
| ONE PLACE DECIMAL .060 | | |
| TWO PLACE DECIMAL .030 | | |
| THREE PLACE DECIMAL .015 | | |
| MATERIAL | | |
| DRAWN | NAME | DATE |
| CHECKED | P.J.W. | 10/11/06 |
| | | |

| | | |
|------------|----------|---------------|
| SIZE | ITEM ID: | REV. |
| A | 02790.00 | REL-01 |
| SCALE:1:32 | | SHEET 1 OF 1 |

PROPRIETARY AND CONFIDENTIAL

THE INFORMATION CONTAINED IN THIS DRAWING IS THE SOLE PROPERTY OF NORDIC FIBERGLASS, INC. ANY REPRODUCTION IN PART OR AS A WHOLE WITHOUT THE WRITTEN PERMISSION OF NORDIC FIBERGLASS, INC. IS PROHIBITED.