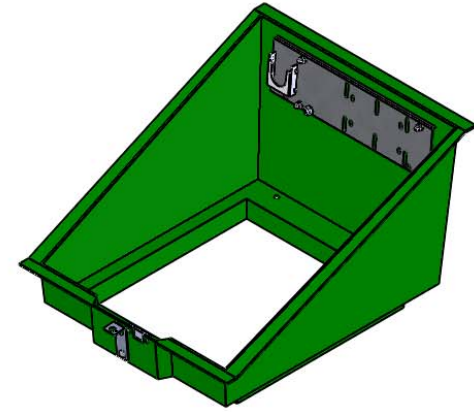
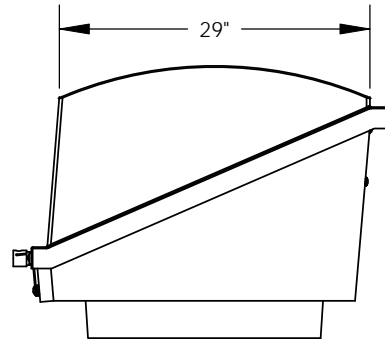
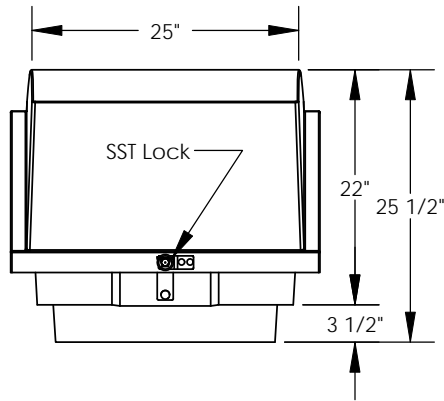
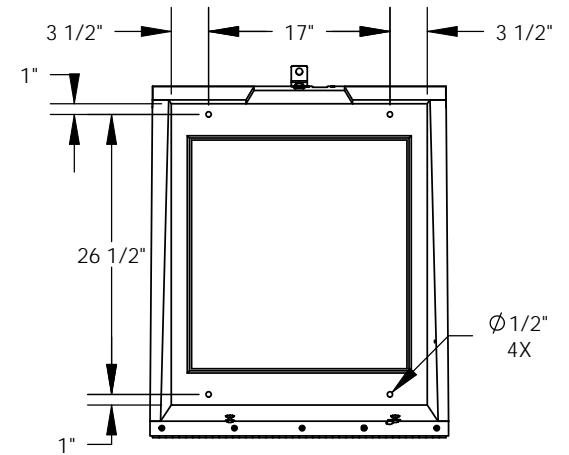


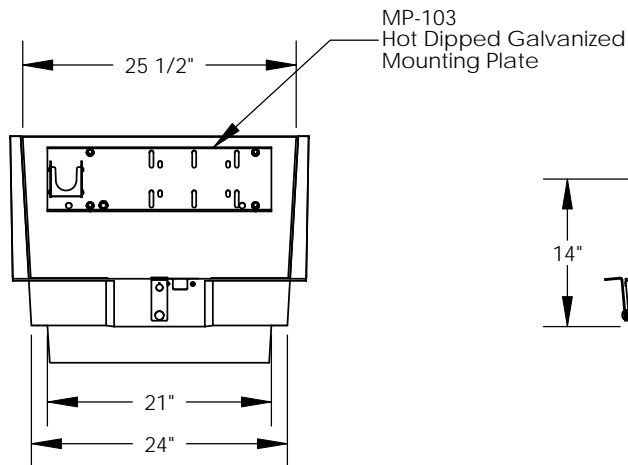
REVISIONS			
REV.	DESCRIPTION	APPROVED	DATE
REL-01			2/19/2007
REL-02	Changed Mounting Holes from Downturn		9/17/2009



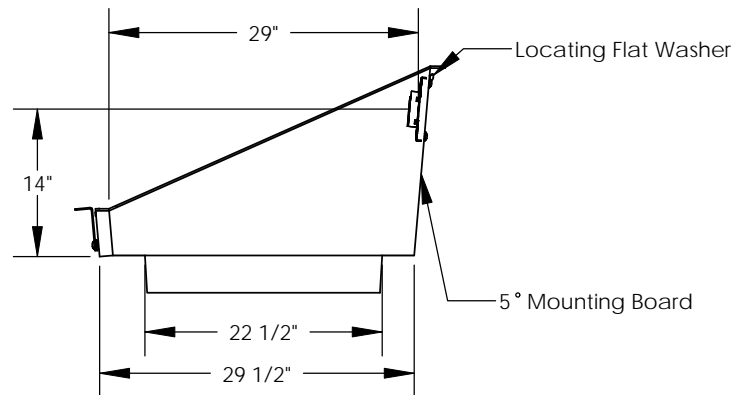
REL-02



Bottom View



MP-103
Hot Dipped Galvanized
Mounting Plate



NOTE:
Includes (4) 3/8-16x1.5 SST Hex Bolts,
(4) 3/8-16 SST Hex Nuts, (8) 3/8 SST Flat
Washers, (4) 3/8 SST Lock Washers

Nordic Fiberglass, Inc.

21415 US Hwy 75 NW, Warren, MN 56762
www.nordicfiberglass.com
218-745-5095 ph. --- 218-745-4990 fax

ND-28-MG-103-X-X

PROPRIETARY AND CONFIDENTIAL
THE INFORMATION CONTAINED IN THIS DRAWING IS THE SOLE PROPERTY OF
NORDIC FIBERGLASS, INC. ANY REPRODUCTION IN PART OR AS A WHOLE
WITHOUT THE WRITTEN PERMISSION OF NORDIC FIBERGLASS, INC. IS PROHIBITED.

Customer Name: N/A		
DIMENSIONS ARE IN INCHES TOLERANCES: ANGLES ± 1° FRACTIONAL ± 1/2 ONE PLACE DECIMAL ±.060 TWO PLACE DECIMAL ±.030 THREE PLACE DECIMAL ±.015		
MATERIAL		
DRAWN	P.J.W.	02/19/07
CHECKED	---	--/--/--

SIZE	ITEM ID:	REV.
A	02710.00	REL-02
SCALE: 1:18	SHEET 1 OF 1	