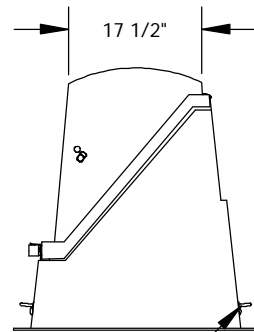
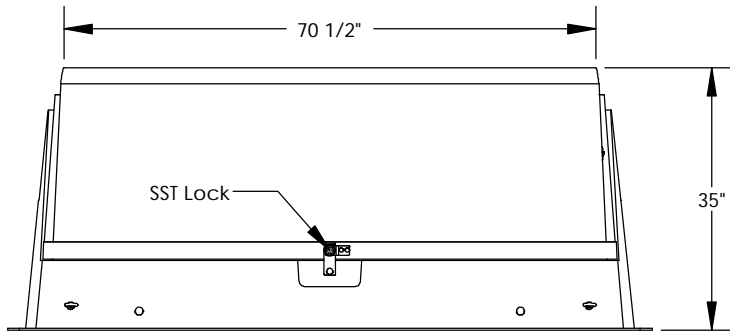
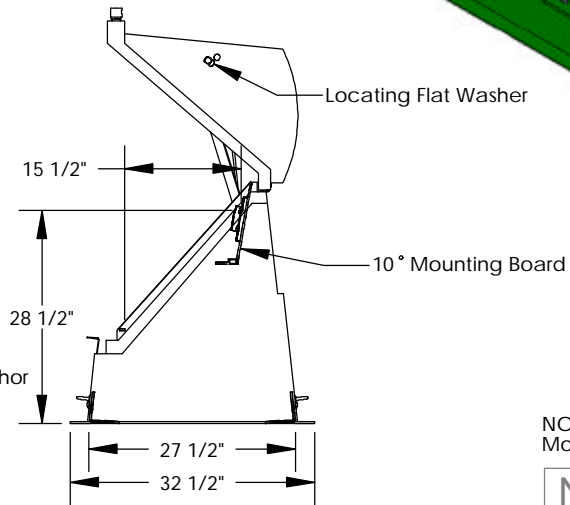
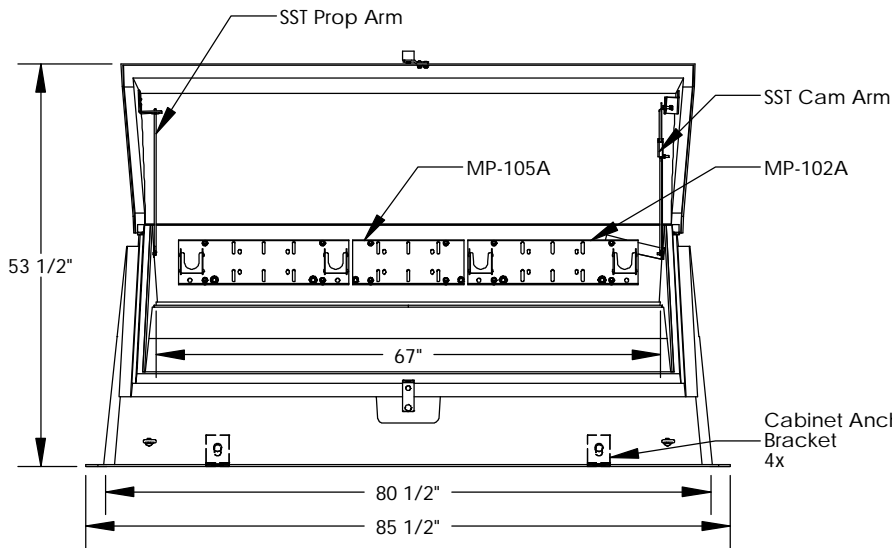
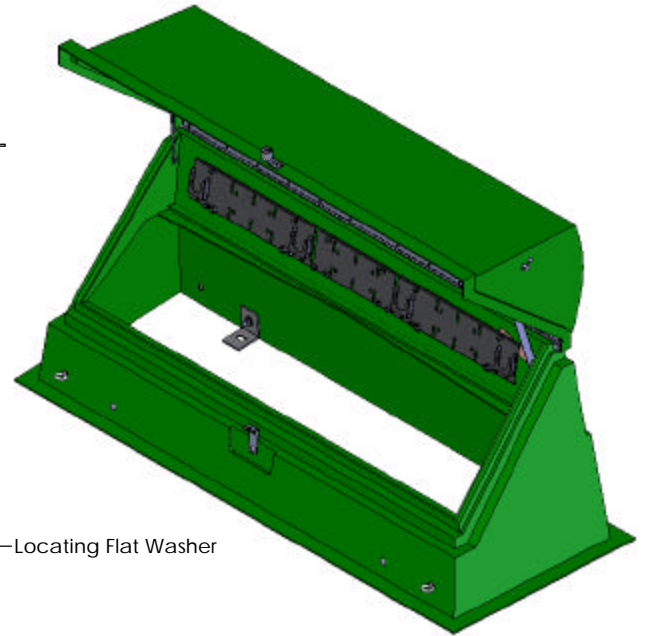


REVISIONS			
REV.	DESCRIPTION	DATE	APPROVED
REL-01		2/14/2007	



ZN Coated Eyebolt
4x



NOTE:
Mounting Plates Hot Dipped Galvanized

Nordic Fiberglass, Inc.

21415 US Hwy 75 NW, Warren, MN 56762
www.nordicfiberglass.com
218-745-5095 ph. --- 218-745-4990 fax

ND-2315T-MG-2A5A-X-X

PROPRIETARY AND CONFIDENTIAL
THE INFORMATION CONTAINED IN THIS DRAWING IS THE SOLE PROPERTY OF NORDIC FIBERGLASS, INC. ANY REPRODUCTION IN PART OR AS A WHOLE WITHOUT THE WRITTEN PERMISSION OF NORDIC FIBERGLASS, INC. IS PROHIBITED.

Customer Name: N/A		
DIMENSIONS ARE IN INCHES TOLERANCES: ANGLES ± 1° FRACTIONAL ± 1/2 ONE PLACE DECIMAL ± .060 TWO PLACE DECIMAL ± .030 THREE PLACE DECIMAL ± .015		
MATERIAL		
DRAWN	NAME	DATE
	P.J.W.	02/14/07
CHECKED		

SIZE	ITEM ID:	REV.
A	02641.00	REL-01
SCALE: 1:24	SHEET 1 OF 1	