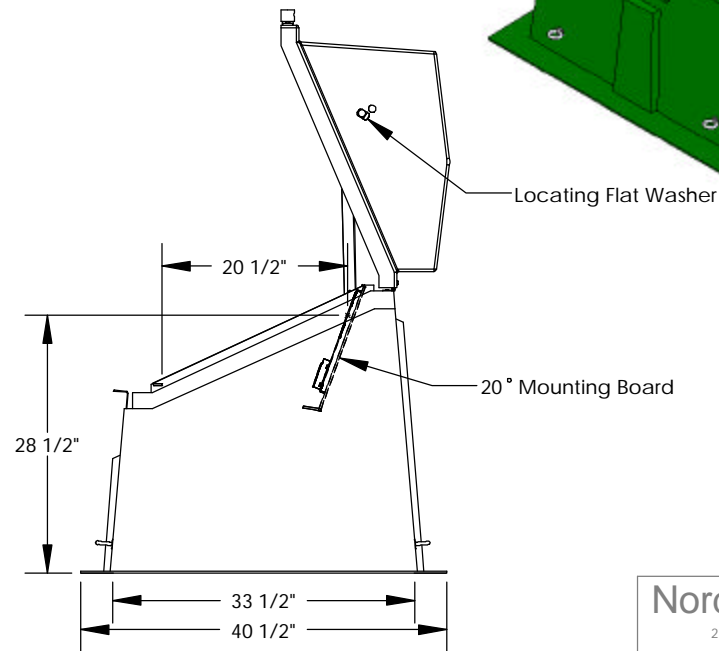
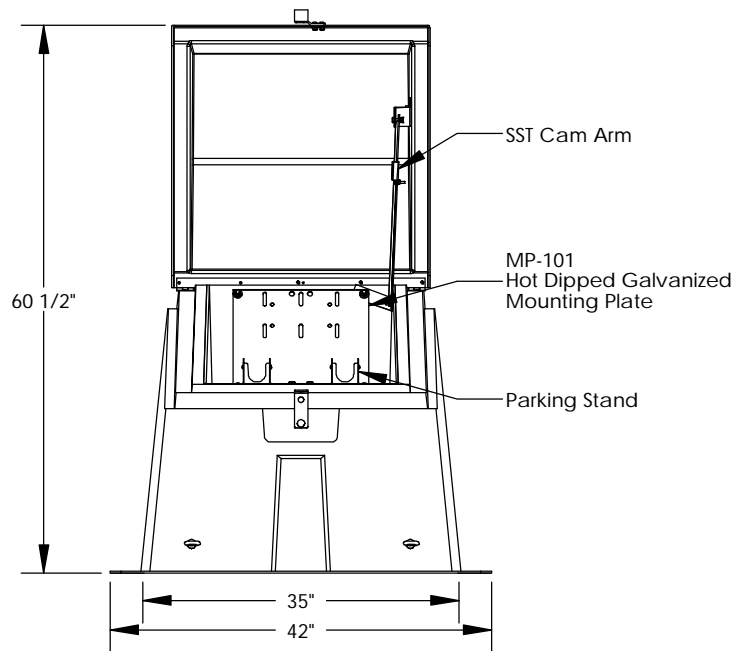
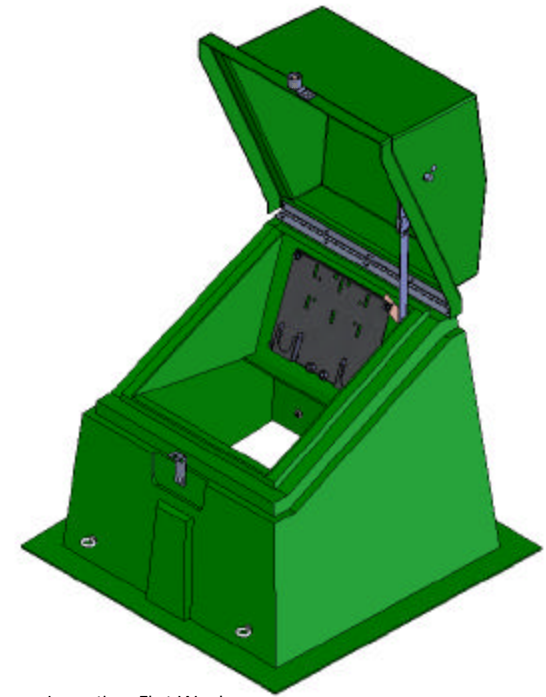
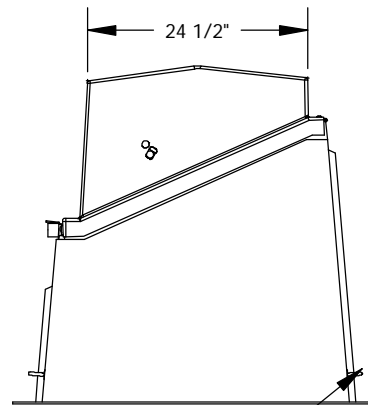
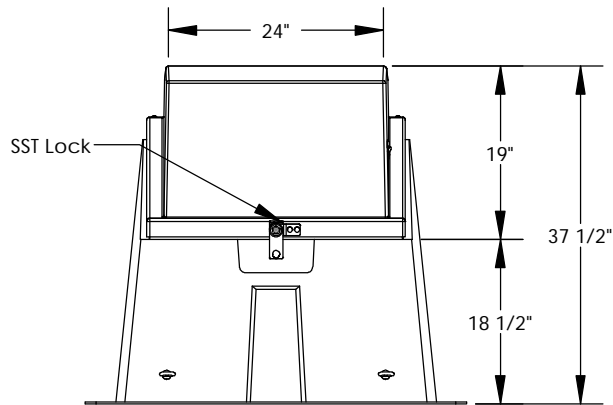


REVISIONS			
REV.	DESCRIPTION	DATE	APPROVED



Nordic Fiberglass, Inc.

21415 US Hwy 75 NW, Warren, MN 56762
www.nordicfiberglass.com
218-745-5095 ph. --- 218-745-4990 fax

ND-130-MG-101-X-X

PROPRIETARY AND CONFIDENTIAL
THE INFORMATION CONTAINED IN THIS DRAWING IS THE SOLE PROPERTY OF
NORDIC FIBERGLASS, INC. ANY REPRODUCTION IN PART OR AS A WHOLE
WITHOUT THE WRITTEN PERMISSION OF NORDIC FIBERGLASS, INC. IS PROHIBITED.

Customer Name: N/A		
DIMENSIONS ARE IN INCHES		
TOLERANCES: ANGLES ± 1°		
FRACTIONAL ± 1/2		
ONE PLACE DECIMAL ± .060		
TWO PLACE DECIMAL ± .030		
THREE PLACE DECIMAL ± .015		
MATERIAL		
DRAWN	NAME	DATE
CHECKED	P.J.W.	01/12/07

SIZE	ITEM ID:	REV.
A	02510.00	REL-01
SCALE: 1:20		SHEET 1 OF 1