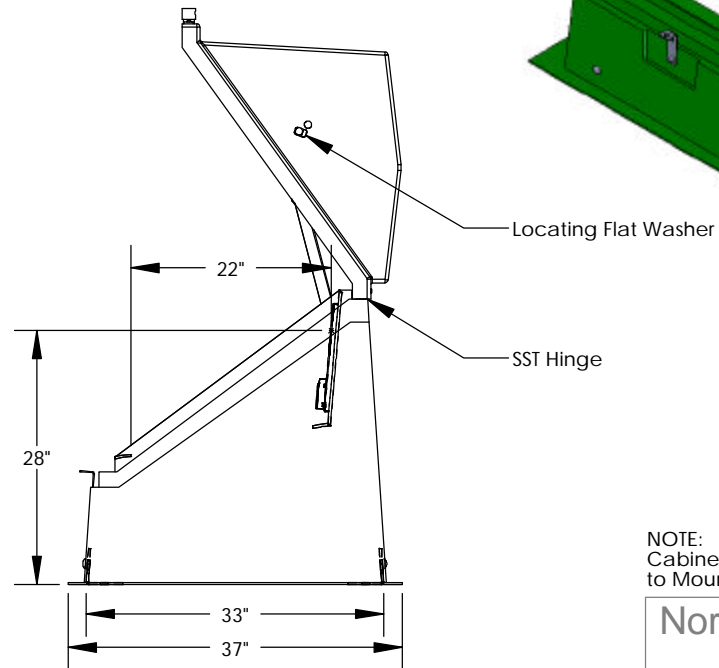
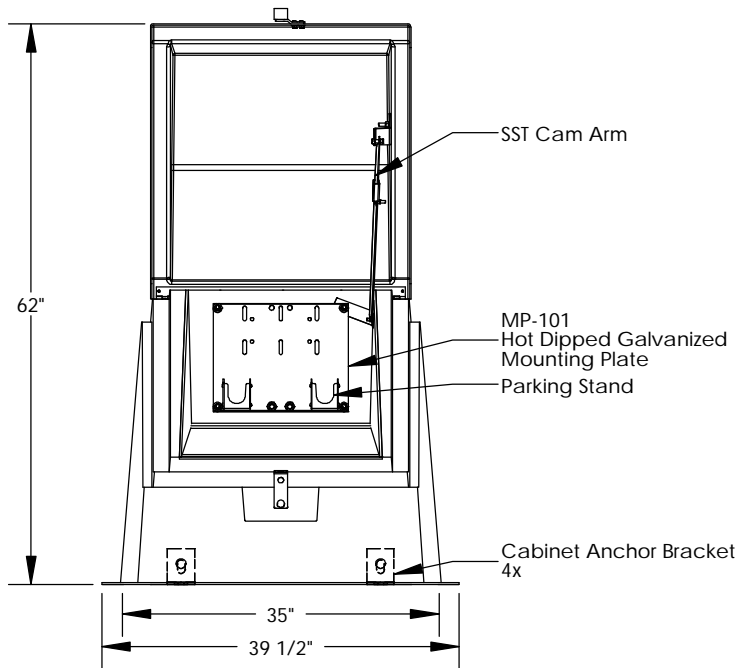
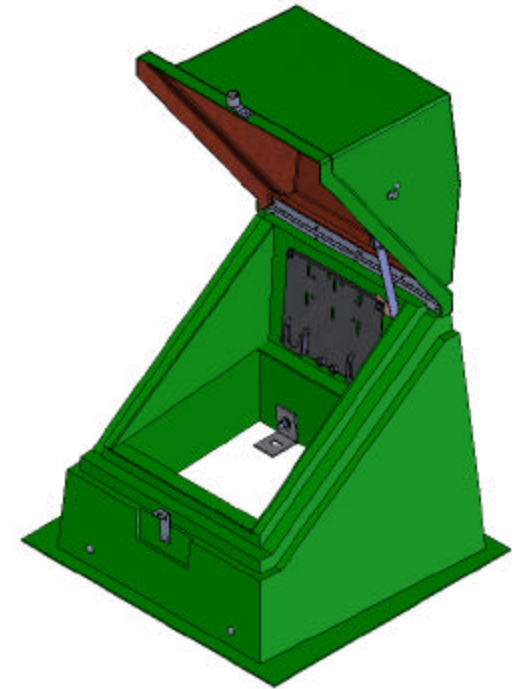
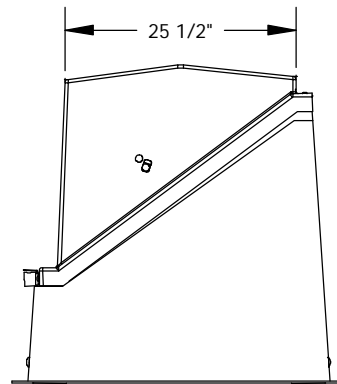
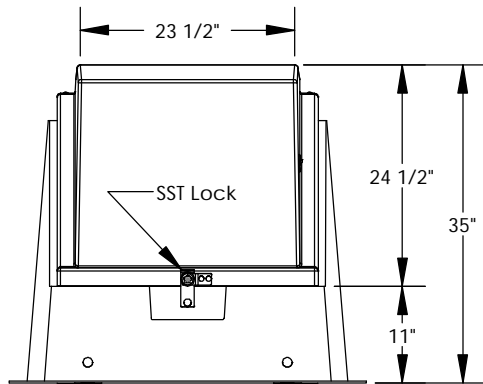


REVISIONS			
REV.	DESCRIPTION	DATE	APPROVED



NOTE:  
Cabinet Anchor Brackets Bolted  
to Mounting Plate for Shipment

**Nordic Fiberglass, Inc.**

21415 US Hwy 75 NW, Warren, MN 56762  
www.nordicfiberglass.com  
218-745-5095 ph. --- 218-745-4990 fax

ND-120-MG-101-X-X

PROPRIETARY AND CONFIDENTIAL  
THE INFORMATION CONTAINED IN THIS DRAWING IS THE SOLE PROPERTY OF  
NORDIC FIBERGLASS, INC. ANY REPRODUCTION IN PART OR AS A WHOLE  
WITHOUT THE WRITTEN PERMISSION OF NORDIC FIBERGLASS, INC. IS PROHIBITED.

Customer Name: N/A		
DIMENSIONS ARE IN INCHES		
TOLERANCES: ANGLES ± 1°		
FRACTIONAL ± 1/2		
ONE PLACE DECIMAL ± 0.060		
TWO PLACE DECIMAL ± 0.030		
THREE PLACE DECIMAL ± 0.015		
MATERIAL		
DRAWN	NAME	DATE
P.J.W.		01/16/07
CHECKED		

SIZE	ITEM ID:	REV.
A	02490.00	REL-01
SCALE: 1:20		SHEET 1 OF 1