



NORDIC FIBERGLASS, INC.
Warren, MN 56762

Joint Trench Pedestal

DRAWN: 10/13/99 DWG. NO. JTPR-151530-50-3-UN

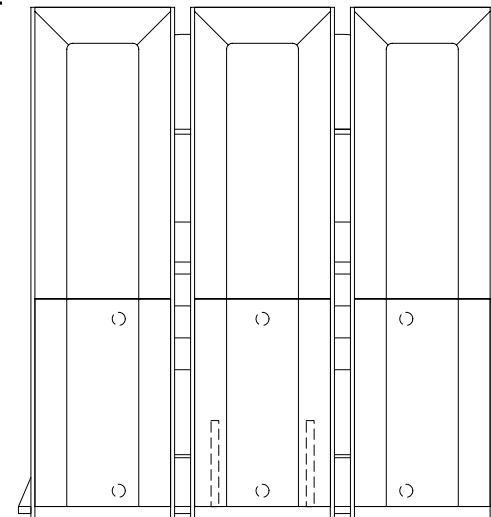
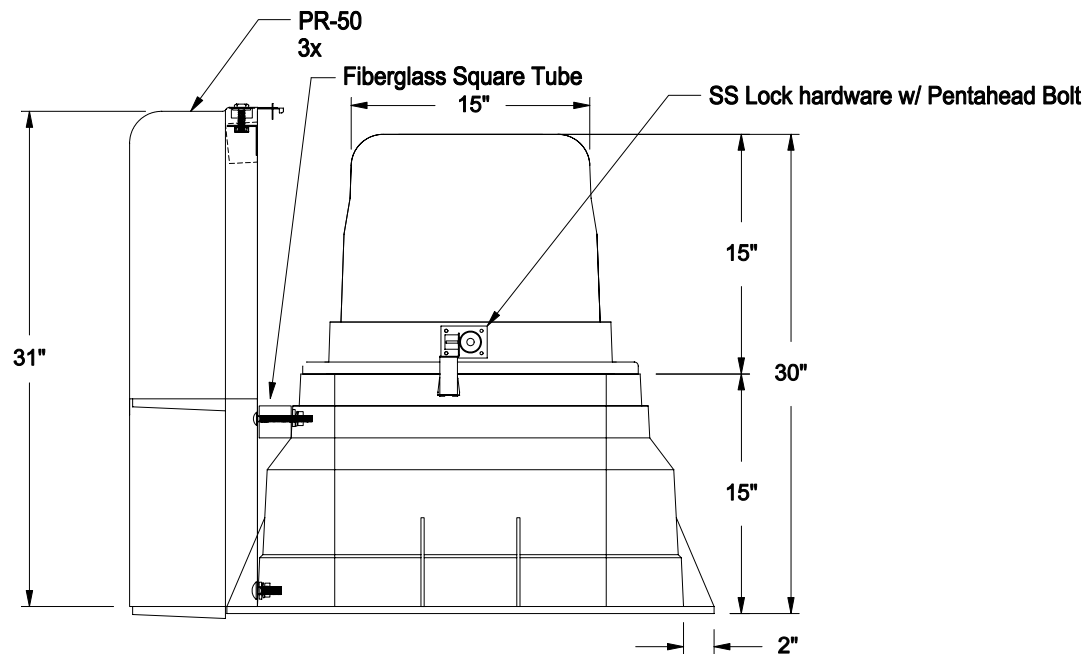
SCALE: 1:12 WEIGHT: SHEET 1 OF 1

Drawn By: G.D.M.

Date	Appv'd by	Description
		Unassembled

Bill of Materials:

- 1 - PSP-151530
- 3 - PR-50's
- 1 - 29" x 2" x 1/8" Fiberglass Square Tube
- 3 - 3/8"-16 x 3 1/2" SST Carriage Head Bolts
- 3 - 3/8"-16 x 1 1/2" SST Carriage Head Bolts
- 6 - 3/8" SST Lock Washers
- 6 - 3/8" SST Hex Nuts
- 6 - 3/8" SST Flat Washers



NOTICE: This document and all of the information, data, and designs thereon are the property of Nordic Fiberglass, Inc. Consent for the retention and use of this document is granted to persons other than Nordic Fiberglass, Inc. only on the conditions that the document and all of its contents will be held in strict confidence. This document is not to be reproduced in whole or in part for manufacture or procurement from sources other than Nordic Fiberglass, Inc. without the written permission of Nordic Fiberglass, Inc.