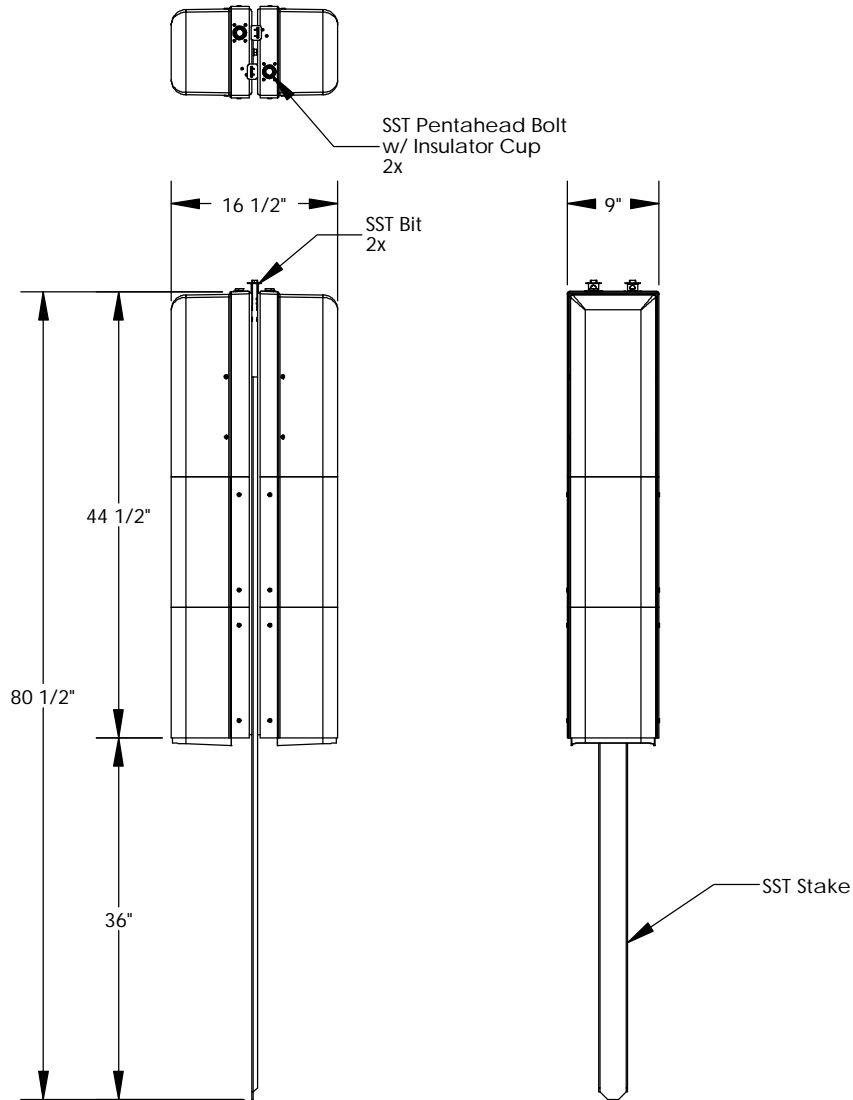


REVISIONS			
REV.	DESCRIPTION	DATE	APPROVED
REL-01		10/4/2006	



Nordic Fiberglass, Inc.

21415 US Hwy 75 NW, Warren, MN 56762
 www.nordicfiberglass.com
 218-745-5095 ph. --- 218-745-4990 fax

Customer Name: N/A

DIMENSIONS ARE IN INCHES
 TOLERANCES: ANGLES $\pm 1^\circ$
 FRACTIONAL $\pm 1/2$
 ONE PLACE DECIMAL $\pm .060$
 TWO PLACE DECIMAL $\pm .030$
 THREE PLACE DECIMAL $\pm .015$

MATERIAL

	NAME	DATE
DRAWN	P.J.W.	10/04/06
CHECKED	---	--/--

JTPR-55-2-MG

SIZE	ITEM ID:
A	02410.00

REV.
REL-01

SCALE:1:24

SHEET 1 OF 1

PROPRIETARY AND CONFIDENTIAL

THE INFORMATION CONTAINED IN THIS DRAWING IS THE SOLE PROPERTY OF NORDIC FIBERGLASS, INC. ANY REPRODUCTION IN PART OR AS A WHOLE WITHOUT THE WRITTEN PERMISSION OF NORDIC FIBERGLASS, INC. IS PROHIBITED.