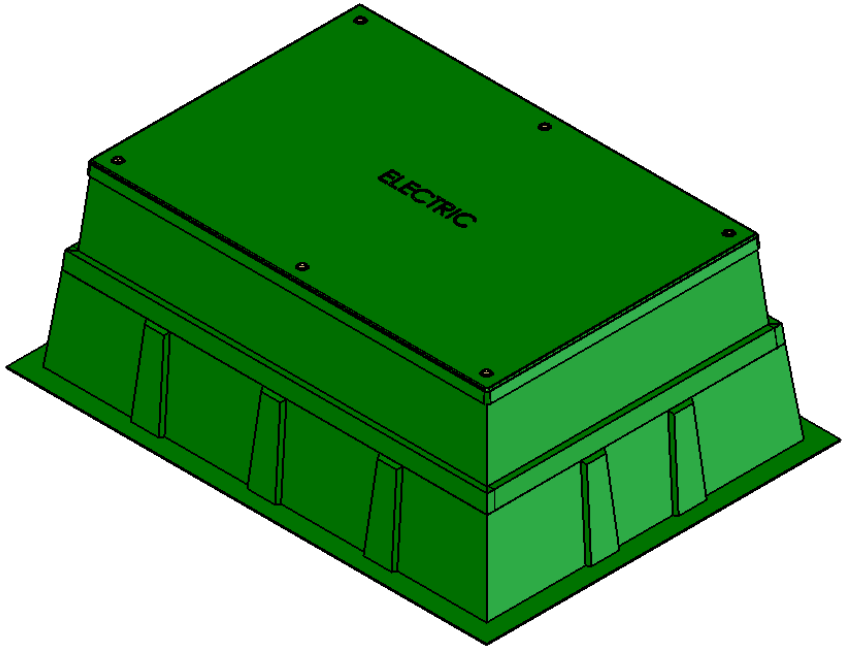
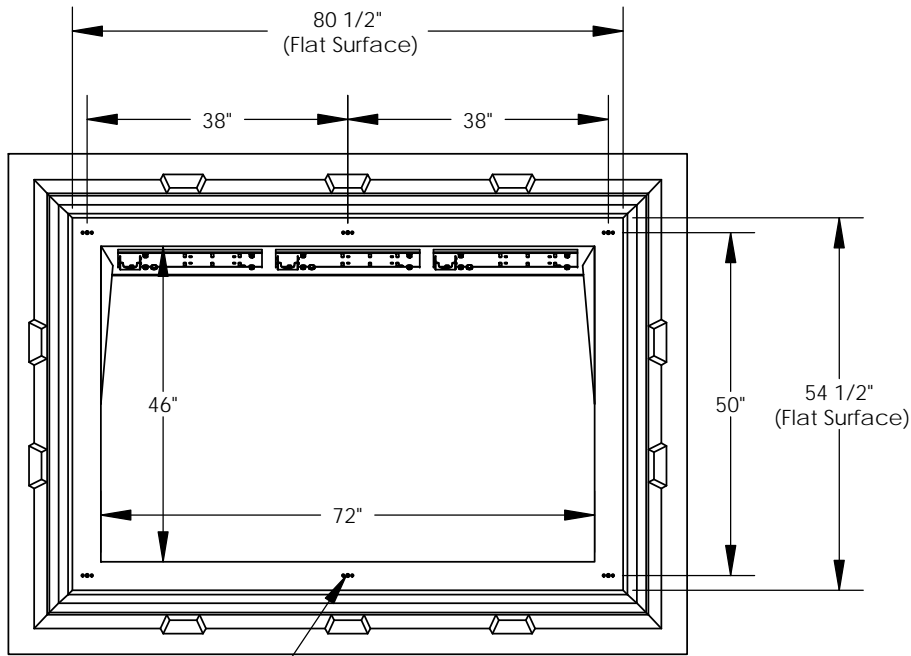
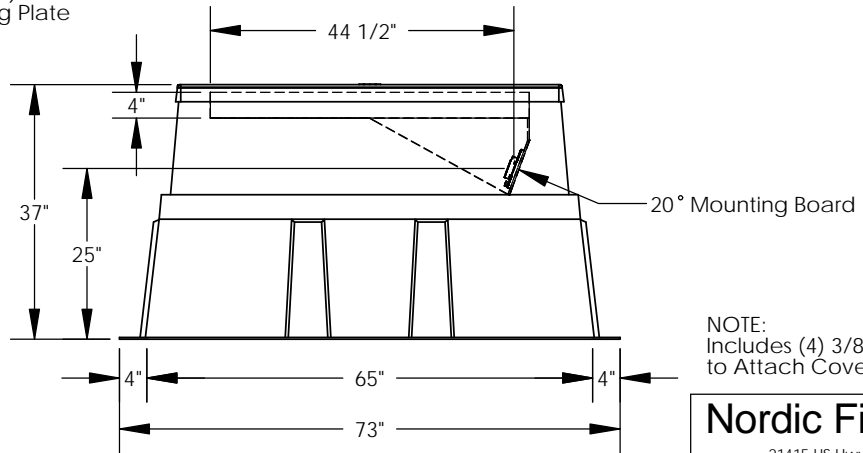
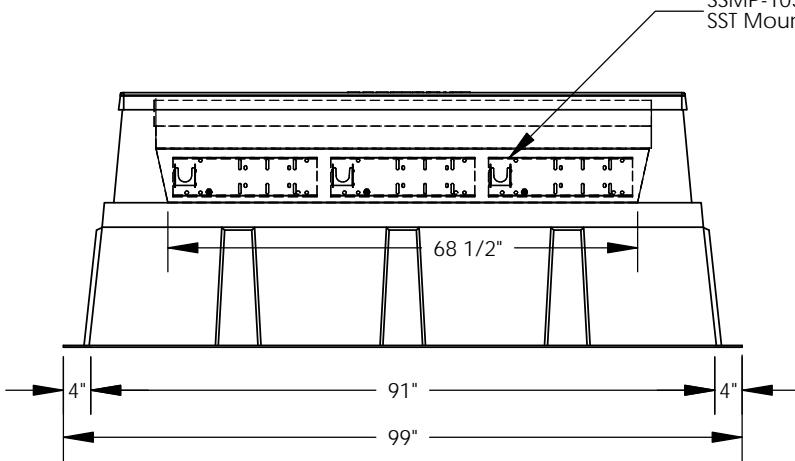


REVISIONS			
REV.	DESCRIPTION	DATE	APPROVED
REL-01		4/12/2007	



3/8 Floating Nut  
6x

SSMP-103 (3x)  
SST Mounting Plate



NOTE:  
Includes (4) 3/8x1.5 SST Pentahead Bolts to Attach Cover

**Nordic Fiberglass, Inc.**

21415 US Hwy 75 NW, Warren, MN 56762  
www.nordicfiberglass.com  
218-745-5095 ph. --- 218-745-4990 fax

GSLBJ-805436-MG-S103-X-X

**PROPRIETARY AND CONFIDENTIAL**  
THE INFORMATION CONTAINED IN THIS DRAWING IS THE SOLE PROPERTY OF NORDIC FIBERGLASS, INC. ANY REPRODUCTION IN PART OR AS A WHOLE WITHOUT THE WRITTEN PERMISSION OF NORDIC FIBERGLASS, INC. IS PROHIBITED.

Customer Name: N/A		
DIMENSIONS ARE IN INCHES		
TOLERANCES: ANGLES ± 1°		
FRACTIONAL ± 1/32		
ONE PLACE DECIMAL ±.060		
TWO PLACE DECIMAL ±.030		
THREE PLACE DECIMAL ±.015		
MATERIAL		
DRAWN	NAME	DATE
	P.J.W.	04/12/07
CHECKED	---	--/--

SIZE	ITEM ID:	REV.
<b>A</b>	02320.00	<b>REL-01</b>
SCALE:1:28	SHEET 1 OF 1	