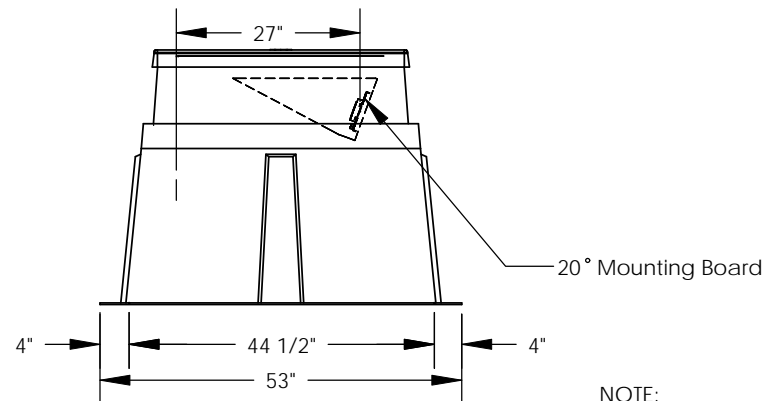
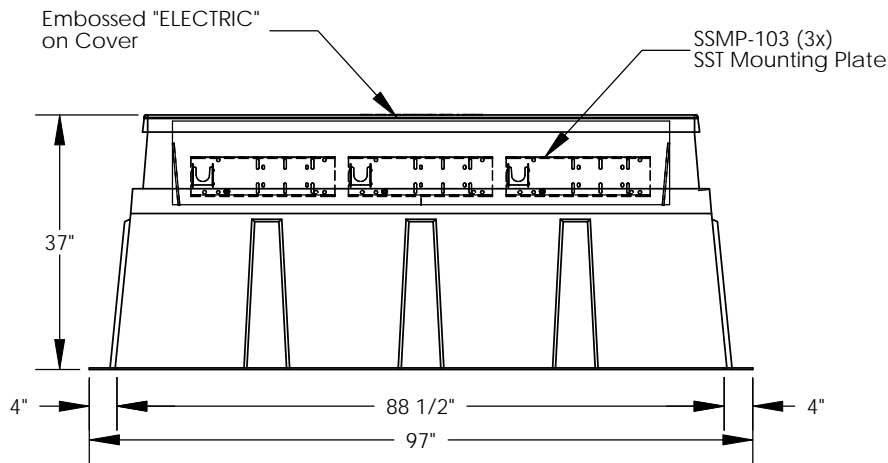
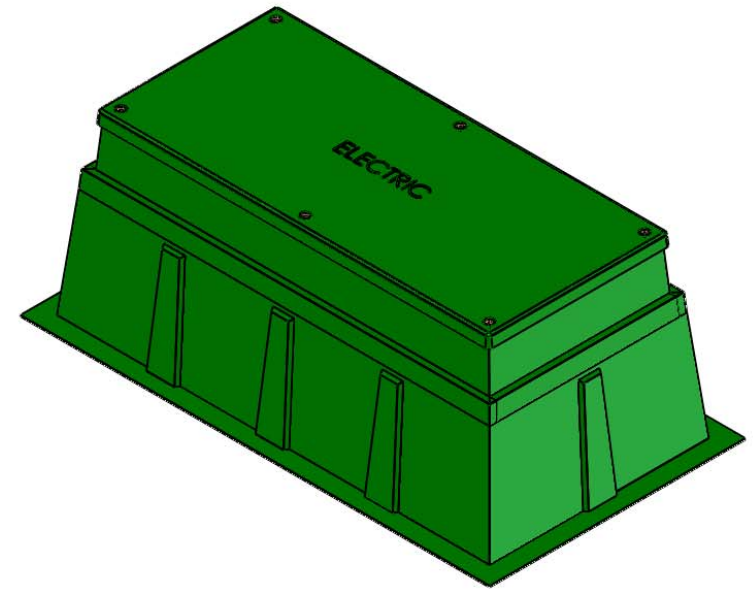
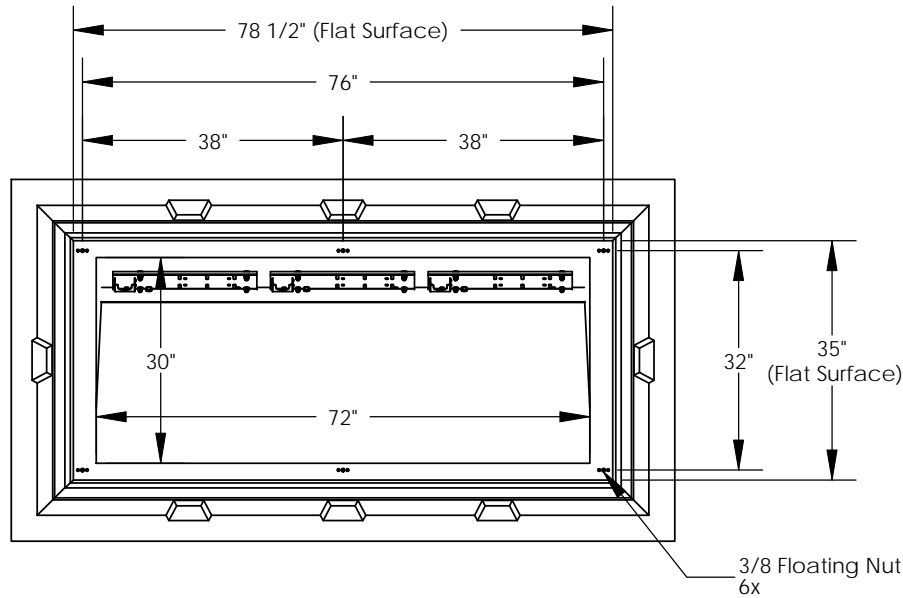


REVISIONS			
REV.	DESCRIPTION	DATE	APPROVED
REL-01		4/4/2007	
REL-02	Added 2 Penta Cups/Bolts - 6 Total	4/25/2008	R.L.J.



NOTE:
Includes (6) 3/8x1.5 SST Pentahead Bolts
to Attach Cover

Nordic Fiberglass, Inc.

21415 US Hwy 75 NW, Warren, MN 56762
www.nordicfiberglass.com
218-745-5095 ph. --- 218-745-4990 fax

GSLBJ-803636-MG-S103-X-X

PROPRIETARY AND CONFIDENTIAL
THE INFORMATION CONTAINED IN THIS DRAWING IS THE SOLE PROPERTY OF
NORDIC FIBERGLASS, INC. ANY REPRODUCTION IN PART OR AS A WHOLE
WITHOUT THE WRITTEN PERMISSION OF NORDIC FIBERGLASS, INC. IS PROHIBITED.

Customer Name: N/A		
DIMENSIONS ARE IN INCHES		
TOLERANCES: ANGLES ± 1°		
FRACTIONAL ± 1/32		
ONE PLACE DECIMAL ±.060		
TWO PLACE DECIMAL ±.030		
THREE PLACE DECIMAL ±.015		
MATERIAL		
DRAWN	NAME	DATE
	P.J.W.	04/04/07
CHECKED	---	--/--/--

SIZE	ITEM ID:	REV.
A	02310.00	REL-02
SCALE:1:28	SHEET 1 OF 1	