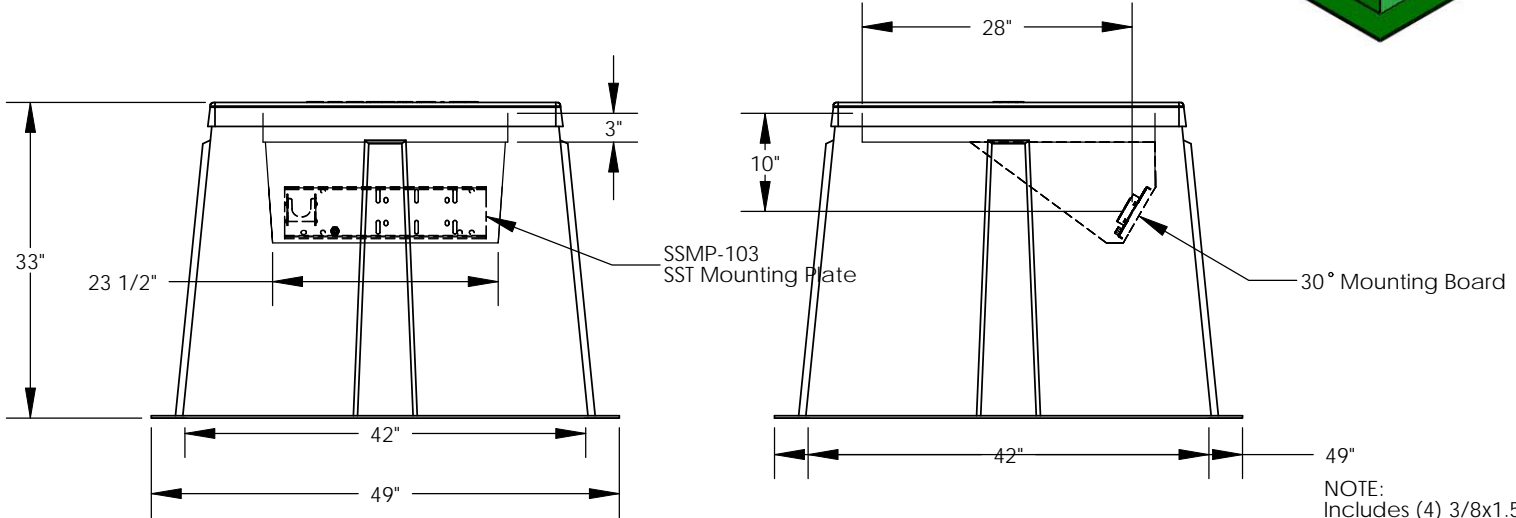
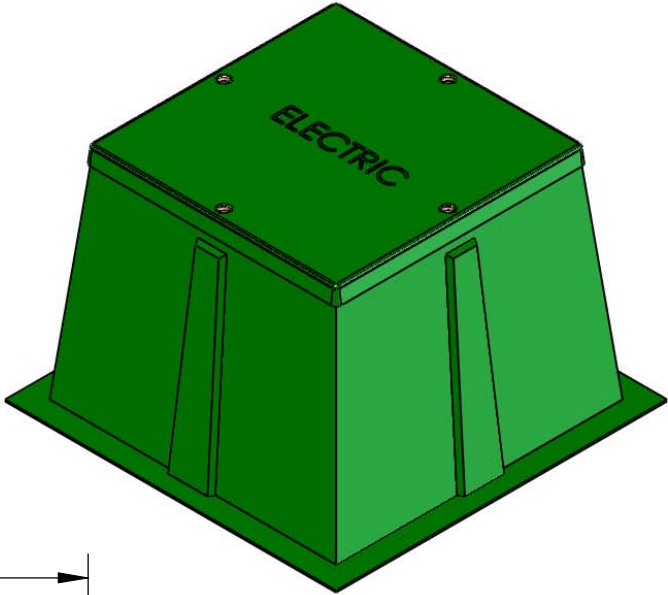
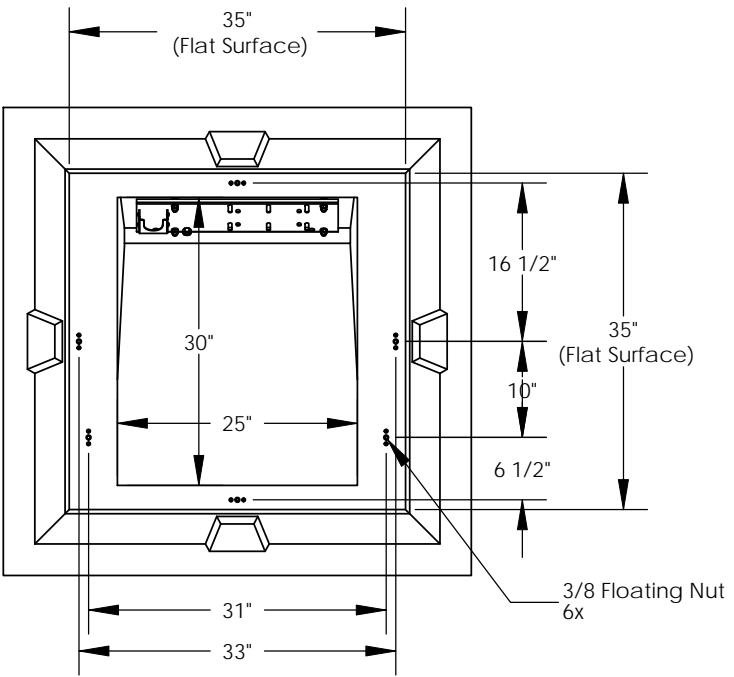


REVISIONS			
REV.	DESCRIPTION	DATE	APPROVED
REL-01		4/3/2007	



NOTE:
Includes (4) 3/8x1.5 SST Pentahead Bolts
to Attach Cover

Nordic Fiberglass, Inc.

21415 US Hwy 75 NW, Warren, MN 56762
www.nordicfiberglass.com
218-745-5095 ph. --- 218-745-4990 fax

GSLBJ-363632-MG-S103-X-X

PROPRIETARY AND CONFIDENTIAL
THE INFORMATION CONTAINED IN THIS DRAWING IS THE SOLE PROPERTY OF
NORDIC FIBERGLASS, INC. ANY REPRODUCTION IN PART OR AS A WHOLE
WITHOUT THE WRITTEN PERMISSION OF NORDIC FIBERGLASS, INC. IS PROHIBITED.

Customer Name: N/A		
DIMENSIONS ARE IN INCHES		
TOLERANCES: ANGLES ± 1°		
FRACTIONAL ± 1/2		
ONE PLACE DECIMAL ±.060		
TWO PLACE DECIMAL ±.030		
THREE PLACE DECIMAL ±.015		
MATERIAL		
DRAWN	NAME	DATE
	P.J.W.	04/03/07
CHECKED	---	--/--/--

SIZE	ITEM ID:	REV.
A	02300.00	REL-01
SCALE:1:20	SHEET 1 OF 1	