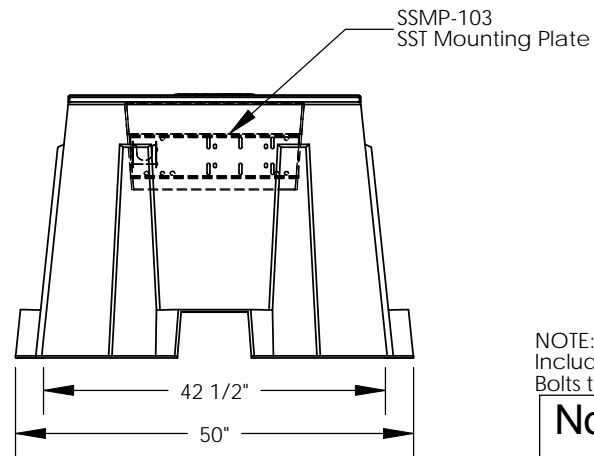
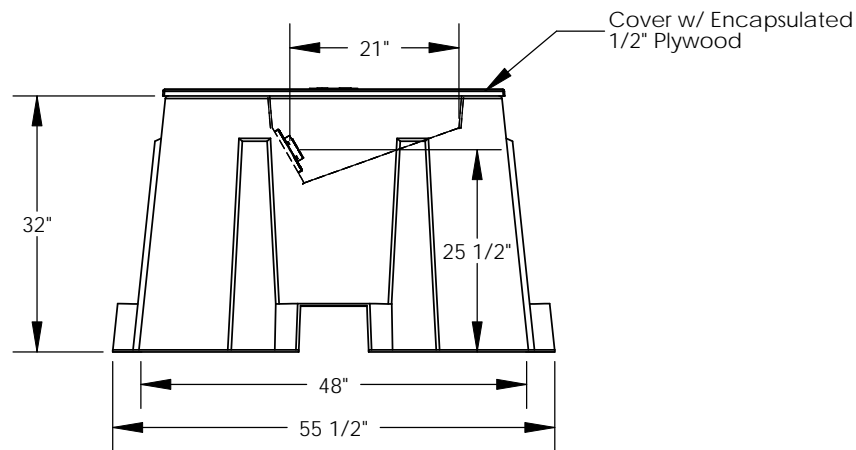
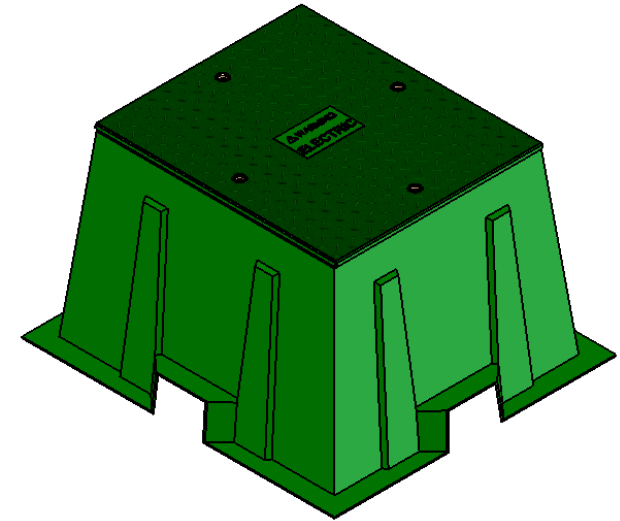
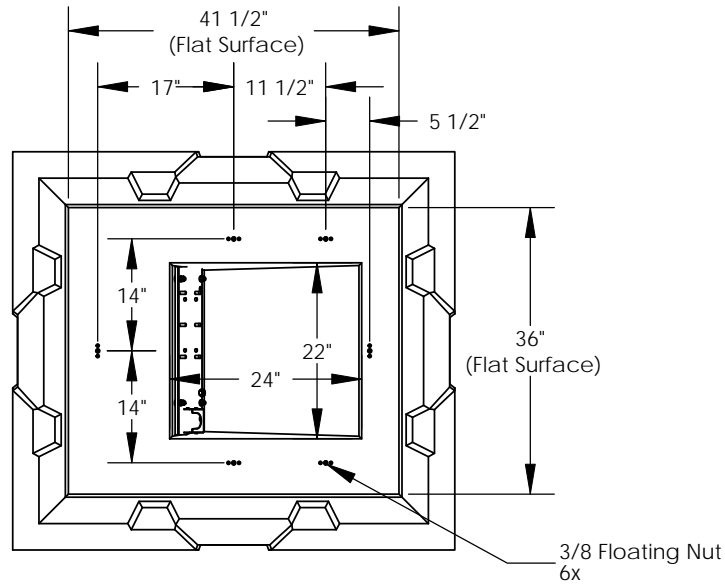


REVISIONS			
REV.	DESCRIPTION	DATE	APPROVED
REL-01		10/5/2007	



NOTE:
Includes (4) 3/8x1.5 SST Pentahead
Bolts to Attach Cover

Nordic Fiberglass, Inc.

21415 US Hwy 75 NW, Warren, MN 56762
www.nordicfiberglass.com
218-745-5095 ph. --- 218-745-4990 fax

GSLBJ-374332C-CE-2-MG-S103-X-22x24

PROPRIETARY AND CONFIDENTIAL
THE INFORMATION CONTAINED IN THIS DRAWING IS THE SOLE PROPERTY OF
NORDIC FIBERGLASS, INC. ANY REPRODUCTION IN PART OR AS A WHOLE
WITHOUT THE WRITTEN PERMISSION OF NORDIC FIBERGLASS, INC. IS PROHIBITED.

Customer Name: N/A		
DIMENSIONS ARE IN INCHES		
TOLERANCES: ANGLES $\pm 1^\circ$		
FRACTIONAL $\pm 1/2$		
ONE PLACE DECIMAL $\pm .060$		
TWO PLACE DECIMAL $\pm .030$		
THREE PLACE DECIMAL $\pm .015$		
MATERIAL		
DRAWN	NAME	DATE
	P.J.W.	10/05/07
CHECKED	---	--/--

SIZE	ITEM ID:	REV.
A	02296.01	REL-01
SCALE: 1:24	SHEET 1 OF 1	