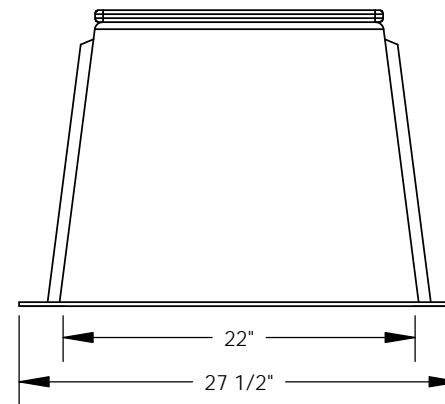
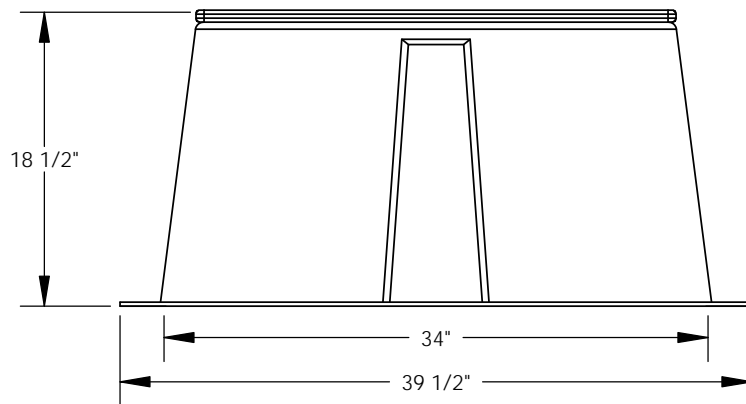
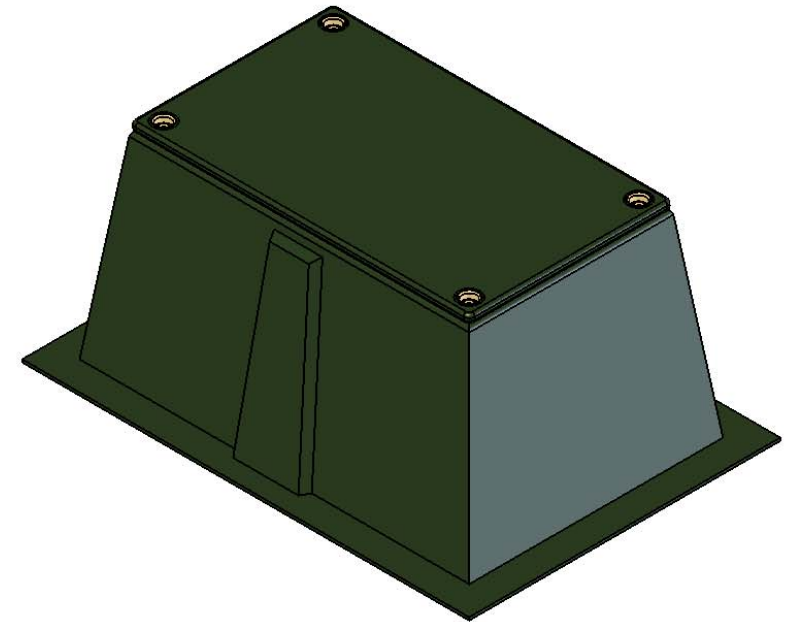
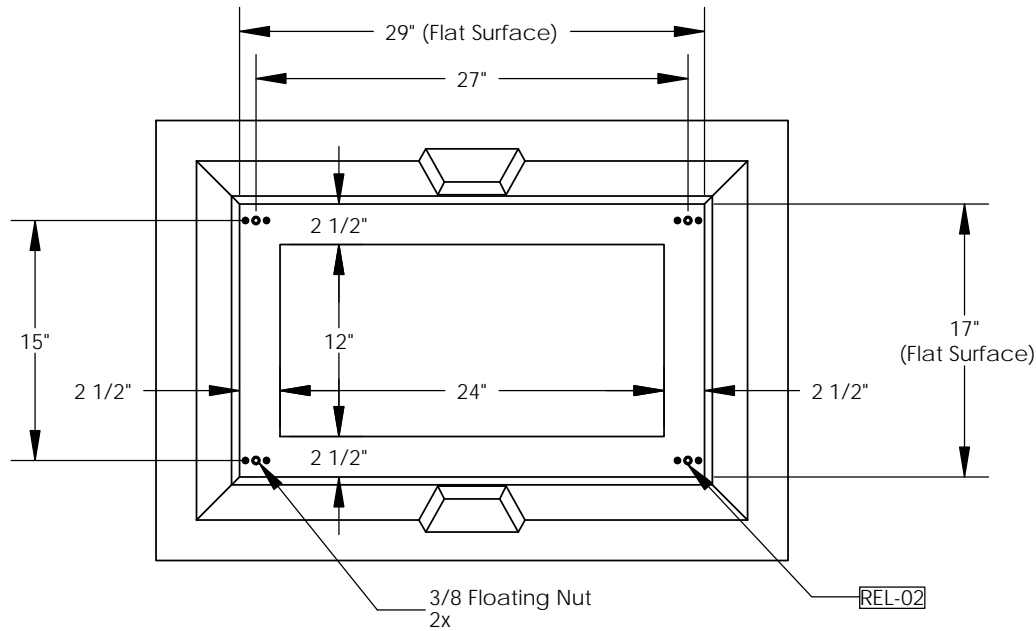


REVISIONS			
REV.	DESCRIPTION	DATE	APPROVED
REL-01		7/5/2007	
REL-02	Updated Pentabolt Placement and Qty From 2	8/21/2014	R.L.J.



NOTE:  
Includes (2) 3/8x1.5 SST Pentahead  
Bolts to Attach Cover

**Nordic Fiberglass, Inc.**

21415 US Hwy 75 NW, Warren, MN 56762  
www.nordicfiberglass.com  
218-745-5095 ph. --- 218-745-4990 fax

GSHH-30-18-MG-24x12

**PROPRIETARY AND CONFIDENTIAL**

THE INFORMATION CONTAINED IN THIS DRAWING IS THE SOLE PROPERTY OF NORDIC FIBERGLASS, INC. ANY REPRODUCTION IN PART OR AS A WHOLE WITHOUT THE WRITTEN PERMISSION OF NORDIC FIBERGLASS, INC. IS PROHIBITED.

Customer Name: N/A

DIMENSIONS ARE IN INCHES  
TOLERANCES: ANGLES  $\pm 1^\circ$   
FRACTIONAL  $\pm 1/2$   
ONE PLACE DECIMAL  $\pm .060$   
TWO PLACE DECIMAL  $\pm .030$   
THREE PLACE DECIMAL  $\pm .015$

MATERIAL

	NAME	DATE
DRAWN	P.J.W.	07/05/07
CHECKED	---	--/--

SIZE	ITEM ID:	REV.
<b>A</b>	02280.00	<b>REL-02</b>
SCALE: 1:12		SHEET 1 OF 1