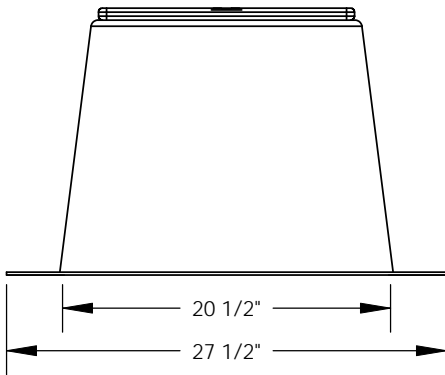
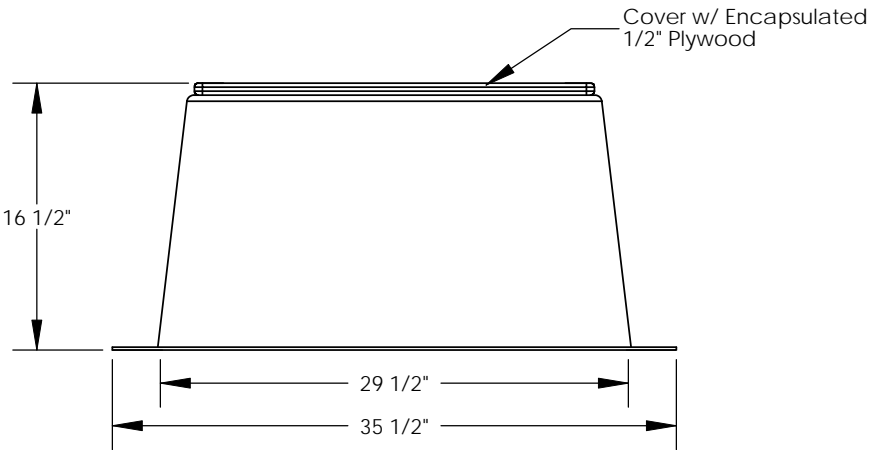
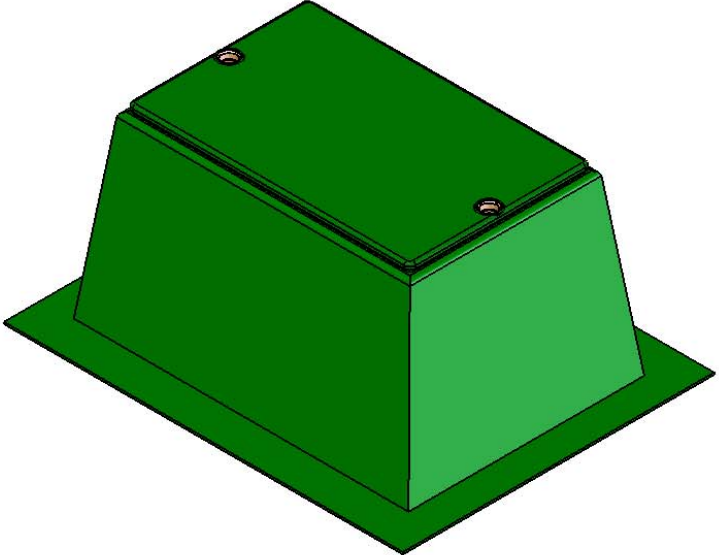
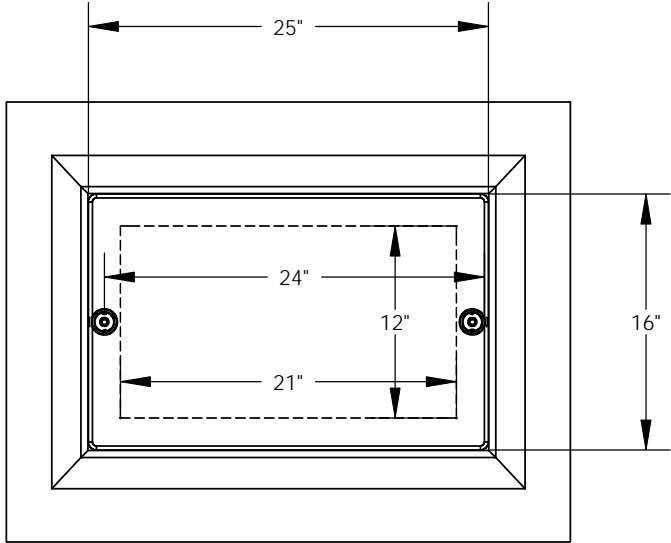


REVISIONS			
REV.	DESCRIPTION	DATE	APPROVED
REL-01		4/30/2007	



NOTE:
Includes (2) 3/8x1.5 SST Pentahead Bolts
for Attaching Cover

Nordic Fiberglass, Inc.
21415 US Hwy 75 NW, Warren, MN 56762
www.nordicfiberglass.com
218-745-5095 ph. --- 218-745-4990 fax

GSHH-25-16-16M-MG-21x12

PROPRIETARY AND CONFIDENTIAL
THE INFORMATION CONTAINED IN THIS DRAWING IS THE SOLE PROPERTY OF
NORDIC FIBERGLASS, INC. ANY REPRODUCTION IN PART OR AS A WHOLE
WITHOUT THE WRITTEN PERMISSION OF NORDIC FIBERGLASS, INC. IS PROHIBITED.

Customer Name: N/A		
DIMENSIONS ARE IN INCHES		
TOLERANCES: ANGLES ± 1°		
FRACTIONAL ± 1/2		
ONE PLACE DECIMAL ±.060		
TWO PLACE DECIMAL ±.030		
THREE PLACE DECIMAL ±.015		
MATERIAL		
DRAWN	NAME	DATE
	P.J.W.	04/30/07
CHECKED	---	--/--

SIZE	ITEM ID:	REV.
A	02260.00	REL-01
SCALE:1:12		SHEET 1 OF 1