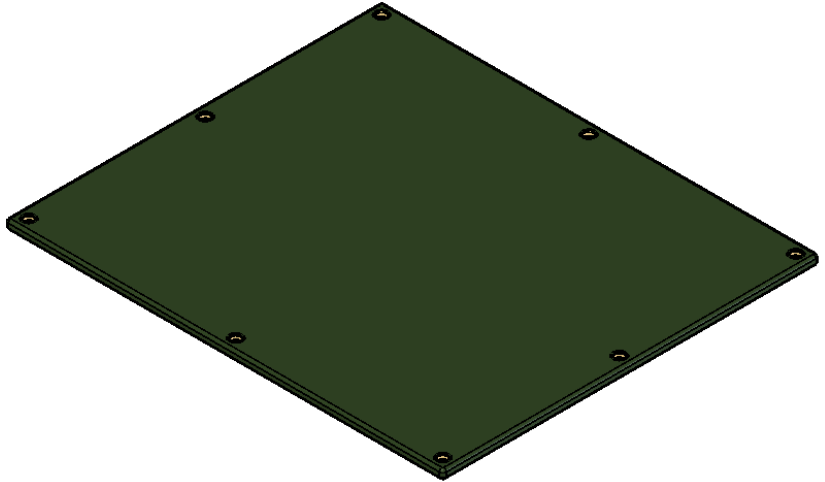
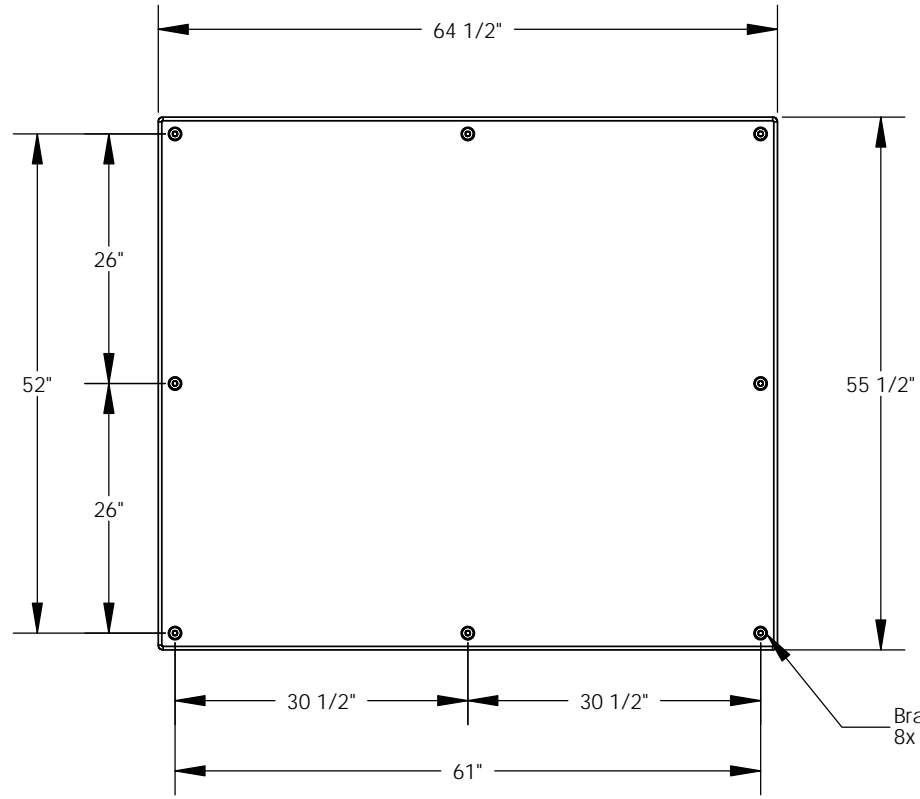
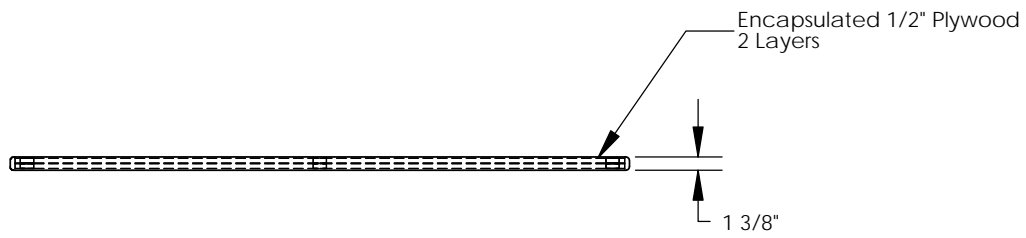


REVISIONS			
REV.	DESCRIPTION	DATE	APPROVED
REL-01		7/30/2007	
REL-02	Updated to New Pentabolt Placement Standards	9/4/2013	R.L.J.



Brass Pentahead Cup
8x



NOTE:
Includes (8) 3/8-16x1.75
SST Pentahead Bolts

Nordic Fiberglass, Inc.

21415 US Hwy 75 NW, Warren, MN 56762
www.nordicfiberglass.com
218-745-5095 ph. --- 218-745-4990 fax

GSC-65-56-MG

PROPRIETARY AND CONFIDENTIAL
THE INFORMATION CONTAINED IN THIS DRAWING IS THE SOLE PROPERTY OF NORDIC FIBERGLASS, INC. ANY REPRODUCTION IN PART OR AS A WHOLE WITHOUT THE WRITTEN PERMISSION OF NORDIC FIBERGLASS, INC. IS PROHIBITED.

Customer Name: N/A		
DIMENSIONS ARE IN INCHES TOLERANCES: ANGLES $\pm 1^\circ$ FRACTIONAL $\pm 1/32$ ONE PLACE DECIMAL $\pm .060$ TWO PLACE DECIMAL $\pm .030$ THREE PLACE DECIMAL $\pm .015$		
MATERIAL		
	NAME	DATE
DRAWN	P.J.W.	07/30/07
CHECKED	---	--/--/--

SIZE	ITEM ID:	REV.
A	02180.00	REL-02
SCALE:1:20		SHEET 1 OF 1