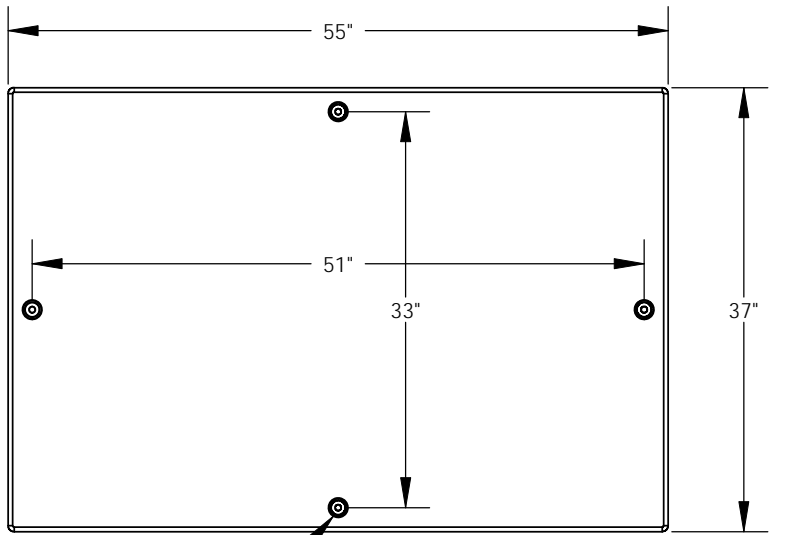
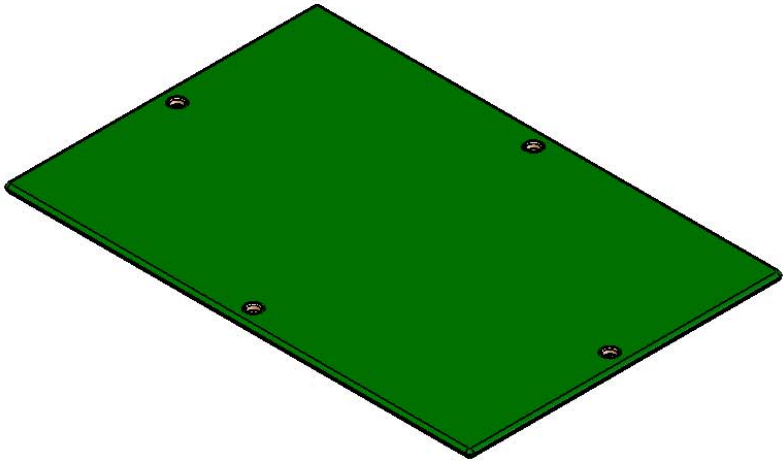


REVISIONS			
REV.	DESCRIPTION	DATE	APPROVED
REL-01		10/27/2006	
REL-02	Changed from 3/4" Plywood	10/8/2007	P.J.W.



Brass Pentahead Cup
4x



Includes (4) 3/8-16x1.5
Sst Pentahead Bolts

Nordic Fiberglass, Inc.
21415 US Hwy 75 NW, Warren, MN 56762
www.nordicfiberglass.com
218-745-5095 ph. --- 218-745-4990 fax

GSC-55-37-MG	
SIZE	ITEM ID:
A	02170.00
REV.	
REL-02	
SCALE: 1:16	SHEET 1 OF 1

Customer Name: N/A		
DIMENSIONS ARE IN INCHES		
TOLERANCES: ANGLES ± 1°		
FRACTIONAL ± 1/32		
ONE PLACE DECIMAL ± .060		
TWO PLACE DECIMAL ± .030		
THREE PLACE DECIMAL ± .015		
MATERIAL	NAME	DATE
	P.J.W.	10/27/06
CHECKED	---	--/--/--

PROPRIETARY AND CONFIDENTIAL
THE INFORMATION CONTAINED IN THIS DRAWING IS THE SOLE PROPERTY OF NORDIC FIBERGLASS, INC. ANY REPRODUCTION IN PART OR AS A WHOLE WITHOUT THE WRITTEN PERMISSION OF NORDIC FIBERGLASS, INC. IS PROHIBITED.