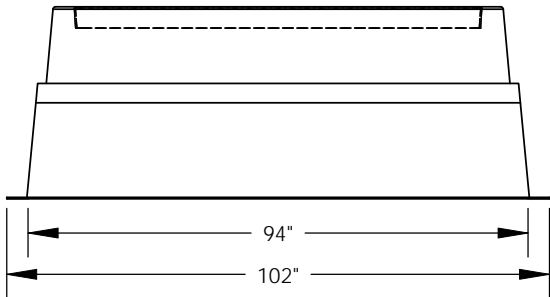
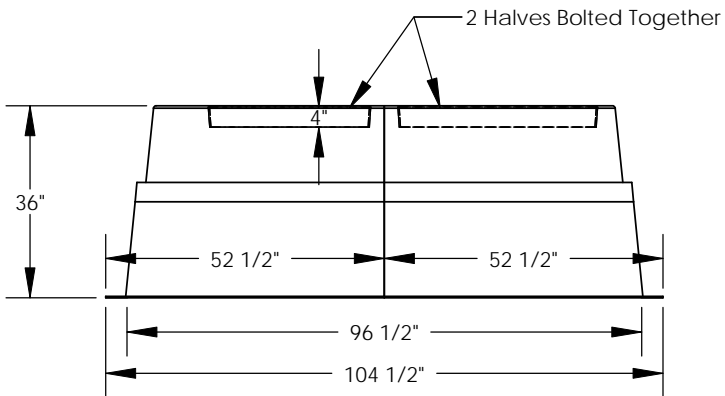
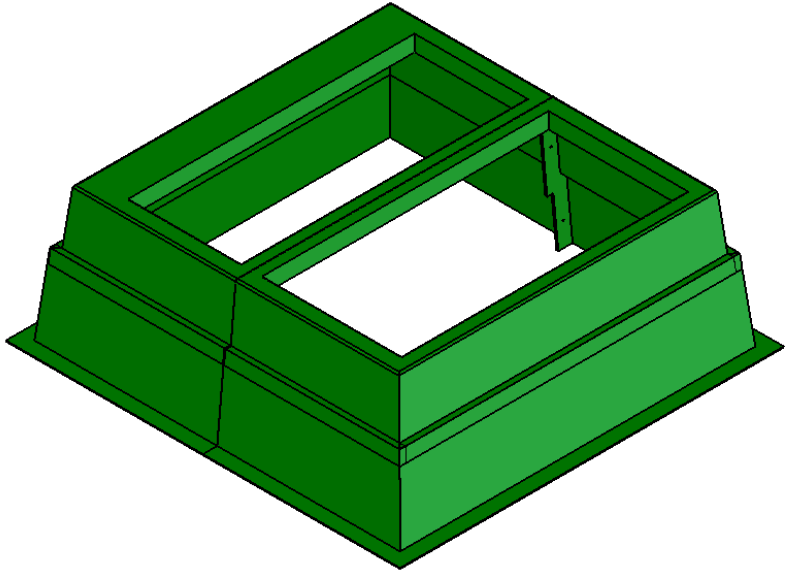
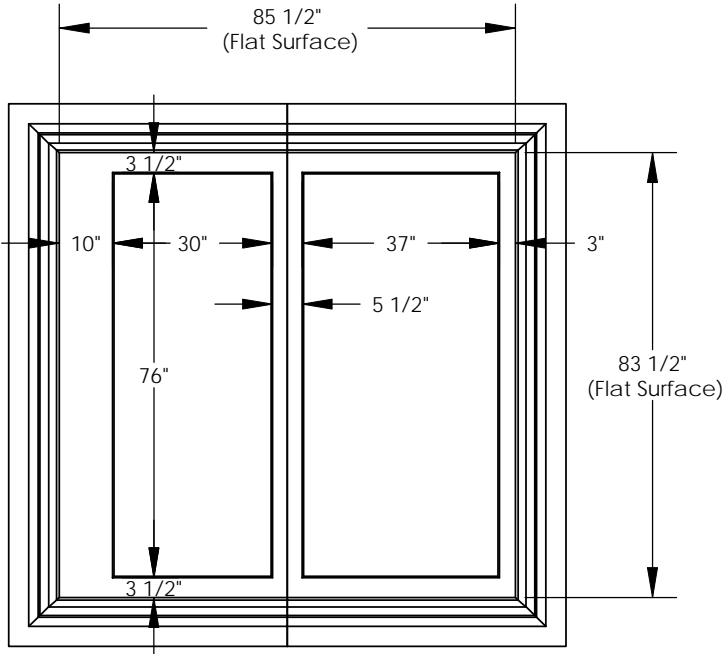


REVISIONS			
REV.	DESCRIPTION	DATE	APPROVED
REL-01		6/13/2007	



NOTES:  
 2 Halves Shipped Unattached  
 Includes (8) 1/2x1.75 SST Hex Bolts,  
 (8) 1/2 SST Hex Nuts, (16) 1/2 SST Flat  
 Washers, (8) 1/2 SST Lock Washers

**Nordic Fiberglass, Inc.**  
 21415 US Hwy 75 NW, Warren, MN 56762  
 www.nordicfiberglass.com  
 218-745-5095 ph. --- 218-745-4990 fax

GS-86-84-36 2 PIECE-MG-73x76		REV.
SIZE	ITEM ID:	REV.
<b>A</b>	02030.00	<b>REL-01</b>
SCALE:1:36	SHEET 1 OF 1	

**PROPRIETARY AND CONFIDENTIAL**  
 THE INFORMATION CONTAINED IN THIS DRAWING IS THE SOLE PROPERTY OF  
 NORDIC FIBERGLASS, INC. ANY REPRODUCTION IN PART OR AS A WHOLE  
 WITHOUT THE WRITTEN PERMISSION OF NORDIC FIBERGLASS, INC. IS PROHIBITED.

Customer Name: N/A		
DIMENSIONS ARE IN INCHES		
TOLERANCES: ANGLES ± 1°		
FRACTIONAL ± 1/2		
ONE PLACE DECIMAL ±.060		
TWO PLACE DECIMAL ±.030		
THREE PLACE DECIMAL ±.015		
MATERIAL	NAME	DATE
	P.J.W.	06/13/07
CHECKED	---	--/--