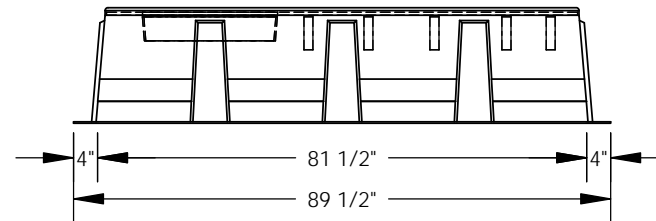
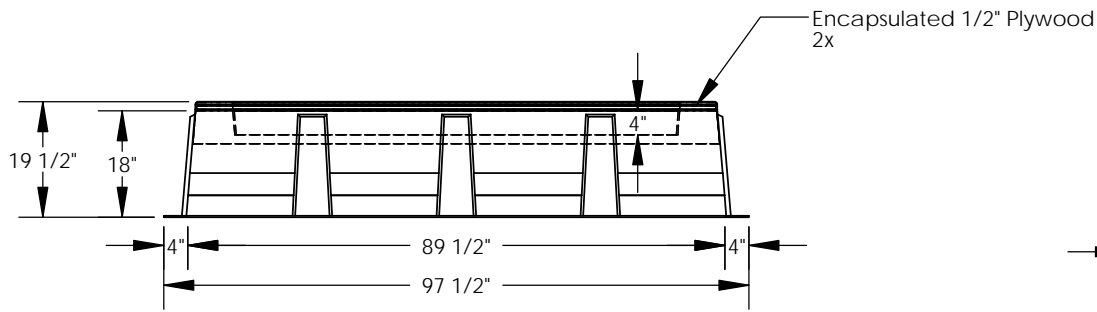
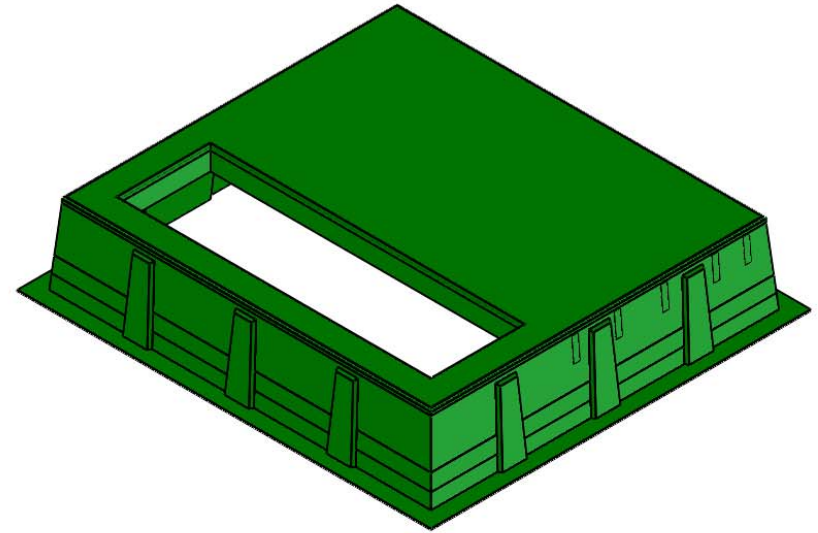
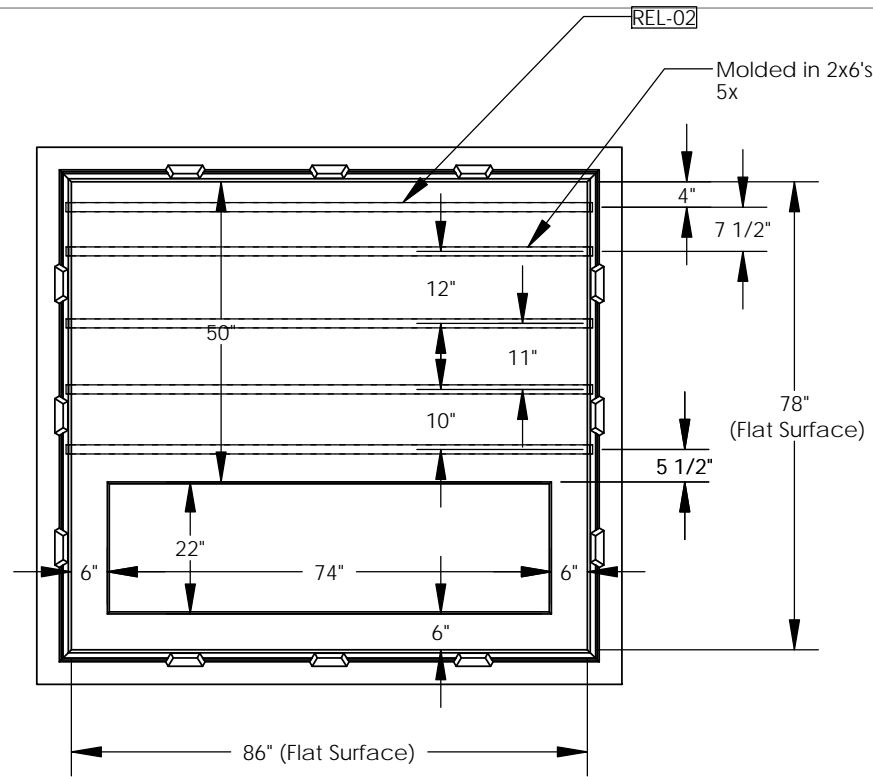


REVISIONS			
REV.	DESCRIPTION	DATE	APPROVED
REL-01		7/23/2009	
REL-02	Added (1) 2x6	2/1/2013	M.F.K.



Proper installation of a box pad for transformers over 9,000 lbs. requires the soil to have a compaction level of 98% prior to setting the box pad. If that is not achievable, a cement pad/footing must be poured underneath the box pad prior to installation.

**PROPRIETARY AND CONFIDENTIAL**  
 THE INFORMATION CONTAINED IN THIS DRAWING IS THE SOLE PROPERTY OF NORDIC FIBERGLASS, INC. ANY REPRODUCTION IN PART OR AS A WHOLE WITHOUT THE WRITTEN PERMISSION OF NORDIC FIBERGLASS, INC. IS PROHIBITED.

Customer Name: N/A		
DIMENSIONS ARE IN INCHES TOLERANCES: ANGLES $\pm 1^\circ$ FRACTIONAL $\pm 1/2$ ONE PLACE DECIMAL $\pm .060$ TWO PLACE DECIMAL $\pm .030$ THREE PLACE DECIMAL $\pm .015$		
MATERIAL		
DRAWN	R.L.J.	07/23/09
CHECKED	---	--/--

**Nordic Fiberglass, Inc.**  
 21415 US Hwy 75 NW, Warren, MN 56762  
 www.nordicfiberglass.com  
 218-745-5095 ph. --- 218-745-4990 fax

GS-86-78-18RT-2X-MG-74x22

SIZE	ITEM ID:	REV.
<b>A</b>	02015.05	<b>REL-02</b>
SCALE:1:30	SHEET 1 OF 1	