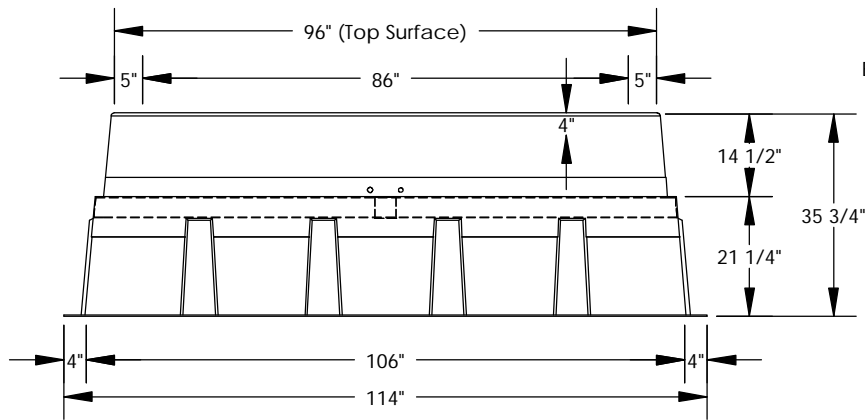
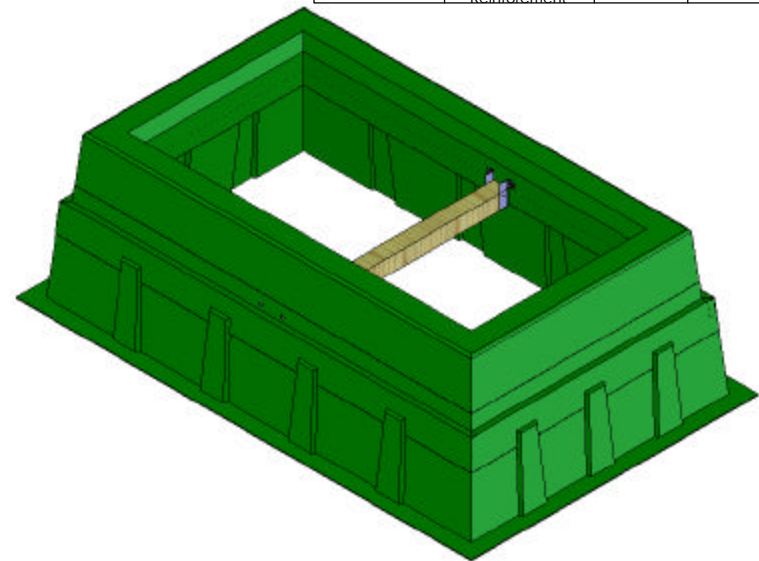
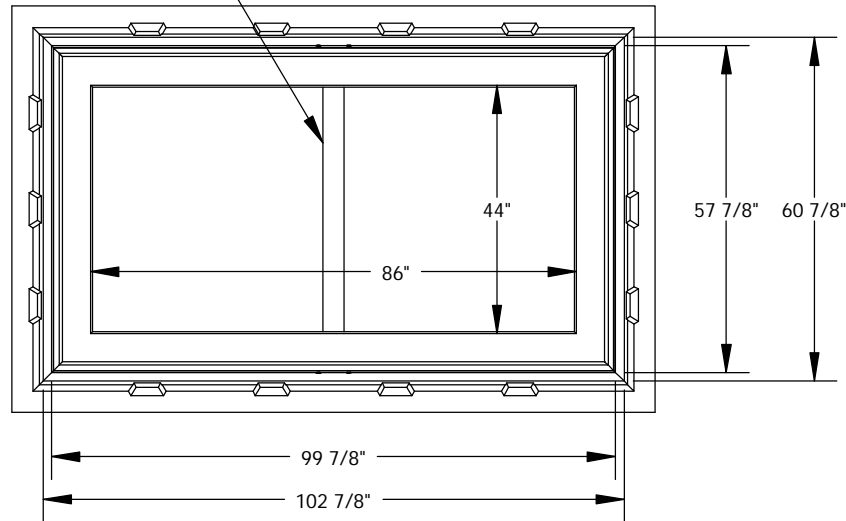
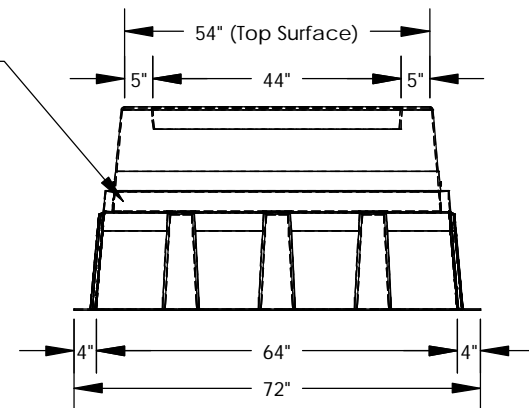


REVISIONS			
REV.	DESCRIPTION	DATE	APPROVED
REL-01		6/28/2006	
REL-02	Added 4x4 Reinforcement	12/8/2006	

4x4 Reinforcement



Encapsulated 2x4's



PROPRIETARY AND CONFIDENTIAL
 THE INFORMATION CONTAINED IN THIS DRAWING IS THE SOLE PROPERTY OF NORDIC FIBERGLASS, INC. ANY REPRODUCTION IN PART OR AS A WHOLE WITHOUT THE WRITTEN PERMISSION OF NORDIC FIBERGLASS, INC. IS PROHIBITED.

Nordic Fiberglass, Inc.

21415 US Hwy 75 NW, Warren, MN 56762
 www.nordicfiberglass.com
 218-745-5095 ph. --- 218-745-4990 fax

Customer Name: N/A		
DIMENSIONS ARE IN INCHES		
TOLERANCES: ANGLES ± 1°		
FRACTIONAL ± 1/2		
ONE PLACE DECIMAL ± 0.060		
TWO PLACE DECIMAL ± 0.030		
THREE PLACE DECIMAL ± 0.015		
MATERIAL		
DRAWN	NAME	DATE
	R.L.J.	06/27/06
CHECKED		

GS-96-54-36-MG-86x44	
SIZE	ITEM ID:
A	01945.00
SCALE: 1:32	REV. REL-02
SHEET 1 OF 1	