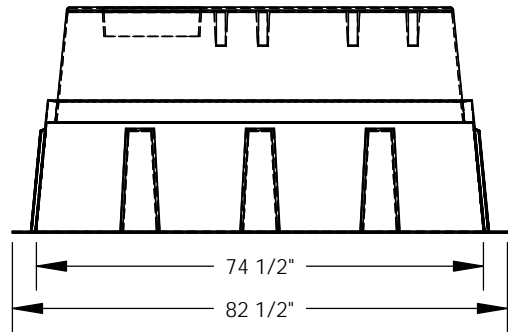
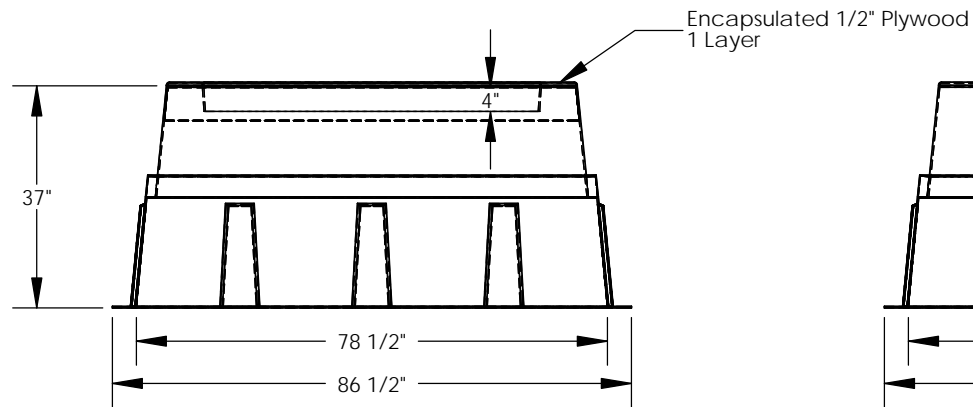
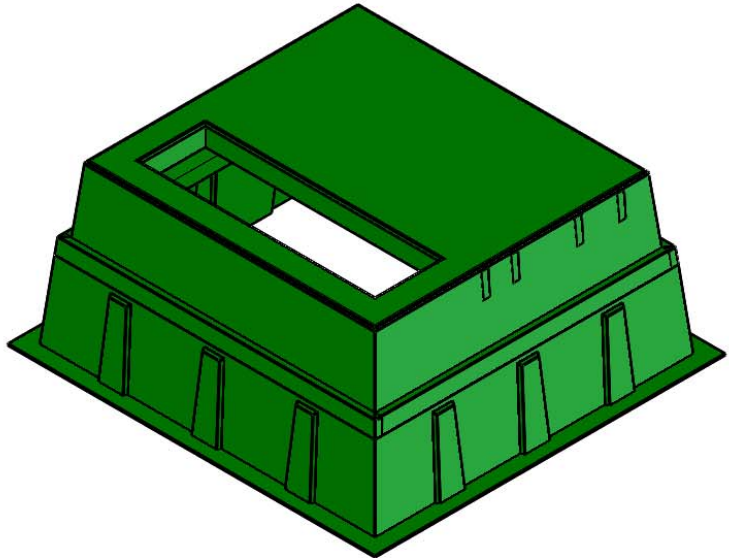
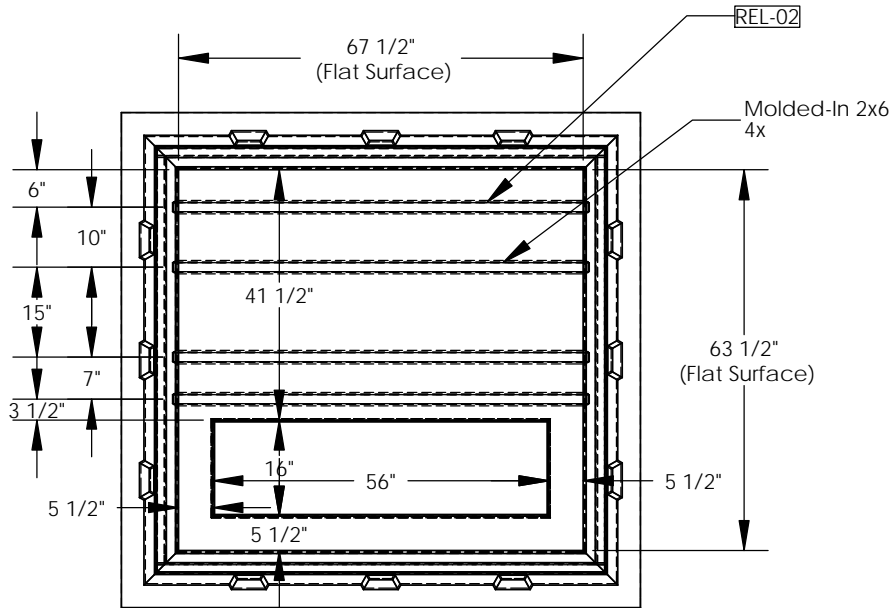


REVISIONS			
REV.	DESCRIPTION	DATE	APPROVED
REL-01		5/3/2007	
REL-02	Added (1) 2x6	12/3/2012	M.F.K.



**PROPRIETARY AND CONFIDENTIAL**  
 THE INFORMATION CONTAINED IN THIS DRAWING IS THE SOLE PROPERTY OF NORDIC FIBERGLASS, INC. ANY REPRODUCTION IN PART OR AS A WHOLE WITHOUT THE WRITTEN PERMISSION OF NORDIC FIBERGLASS, INC. IS PROHIBITED.

Customer Name: N/A		
DIMENSIONS ARE IN INCHES		
TOLERANCES: ANGLES ± 1°		
FRACTIONAL ± 1/32		
ONE PLACE DECIMAL ± 060		
TWO PLACE DECIMAL ± 030		
THREE PLACE DECIMAL ± 015		
MATERIAL		
DRAWN	NAME	DATE
	P.J.W.	05/03/07
CHECKED		

**Nordic Fiberglass, Inc.**  
 21415 US Hwy 75 NW, Warren, MN 56762  
 www.nordicfiberglass.com  
 218-745-5095 ph. --- 218-745-4990 fax

GS-69-65-36RT-MG-56x16

SIZE	ITEM ID:	REV.
<b>A</b>	01620.00	<b>REL-02</b>
SCALE: 1:32		SHEET 1 OF 1